



Limited Only By Your *Imagination*

Intelligent Repeater

SolutioNet™ 4.0

Model IIOT-5000 Series

IIoT Technology Innovations developed this solar powered/ battery backup repeater for signal enhancement. It attains an approximate range of 1½ miles or 2.4 km). Using a multiple Intelligent Repeater network, effective range is increased to 7 miles or 11.3 km). For additional transmission needs, the IIOTTTI SolutioNet. 4.0 communication system incorporates various transmission technologies such as traditional wired resources, local area networks, the Internet, modems, fiber optics, satellites, etc.

**This Datasheet
Contains
Protected
Information**

Specifications:

- Operating frequency 900 MHz, 868 MHz
- Repeater function (1.5 mi) (2.4 km)
- Operating temperature (-40°F to +185°F) (-40°C to +85°C)
- Humidity 0-95% non-condensing
- Power requirement 110/220 VAC or solar power with battery backup
- Consumption 60mA continuous
- Enclosure Fiberglass NEMA 4X, (4 in x 14 in x 16 in) (10.2 cmk 35.6 cm x 40.6 cm)
- Weight (without battery) (23 lb) (10.4 kg)
- Mounting Pipe, (1.5 in) (3.8 cm)

**IIoTTTI
Wireless
Intelligent
Repeaters
enhance
signal
strength**

IIoT Technology Innovations, LLC
TX, USA Model: IIoT-5XXX Repeater

CE **Ex** II 3 G D

Ex nA IIC T6

Cl I, Div 2, Grp A,B,C,D; Cl II, Div2, Grp E,F,G, T6

Cl I, Zone 2, A/Ex nA IIC T6 Type 4X

-20°C ≤ Ta ≤ +40°C

Electrical Ratings: 115/230 Vac, 1.3/0.7A, 50-60 Hz

CAUTIONS: OPEN CIRCUIT BEFORE REMOVING COVER.

KEEP COVER TIGHT WHILE CIRCUITS ARE LIVE.

WARNING: SUBSTITUTION OF COMPONENTS MAY

IMPAIR SUITABILITY FOR CLASS I, DIVISION 2.

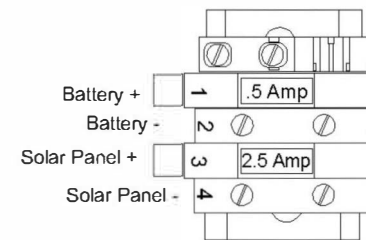
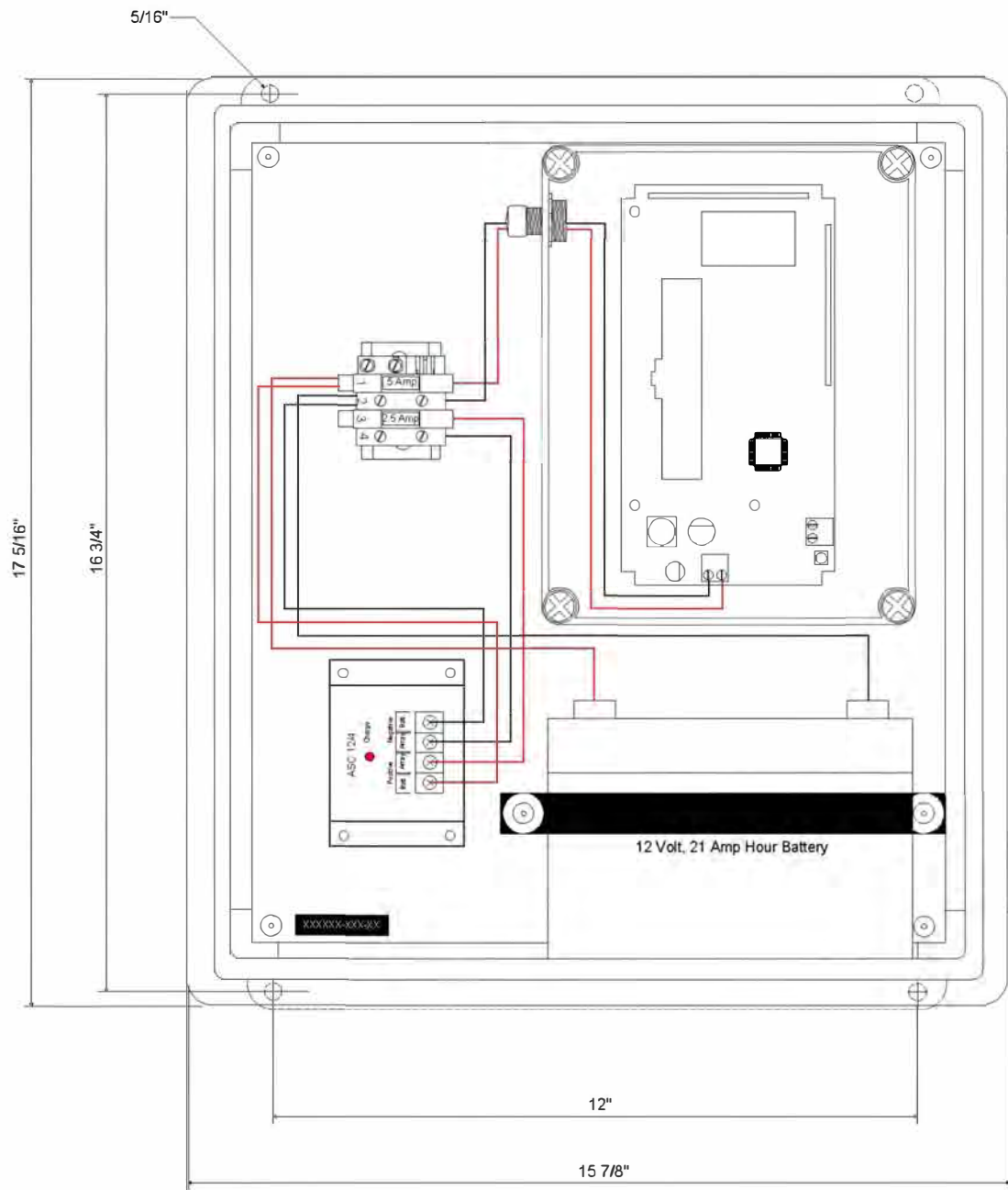
DO NOT DISCONNECT BATTERY OR EQUIPMENT UNLESS

THE AREA IS KNOWN TO BE NON-HAZARDOUS.

USE ONLY POWER SONIC BATTERY PART NUMBER PS-12180.



**Please refer to
the test sheets
for final
parameters**



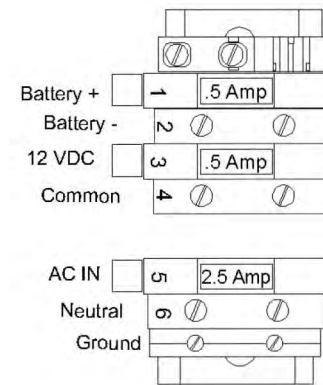
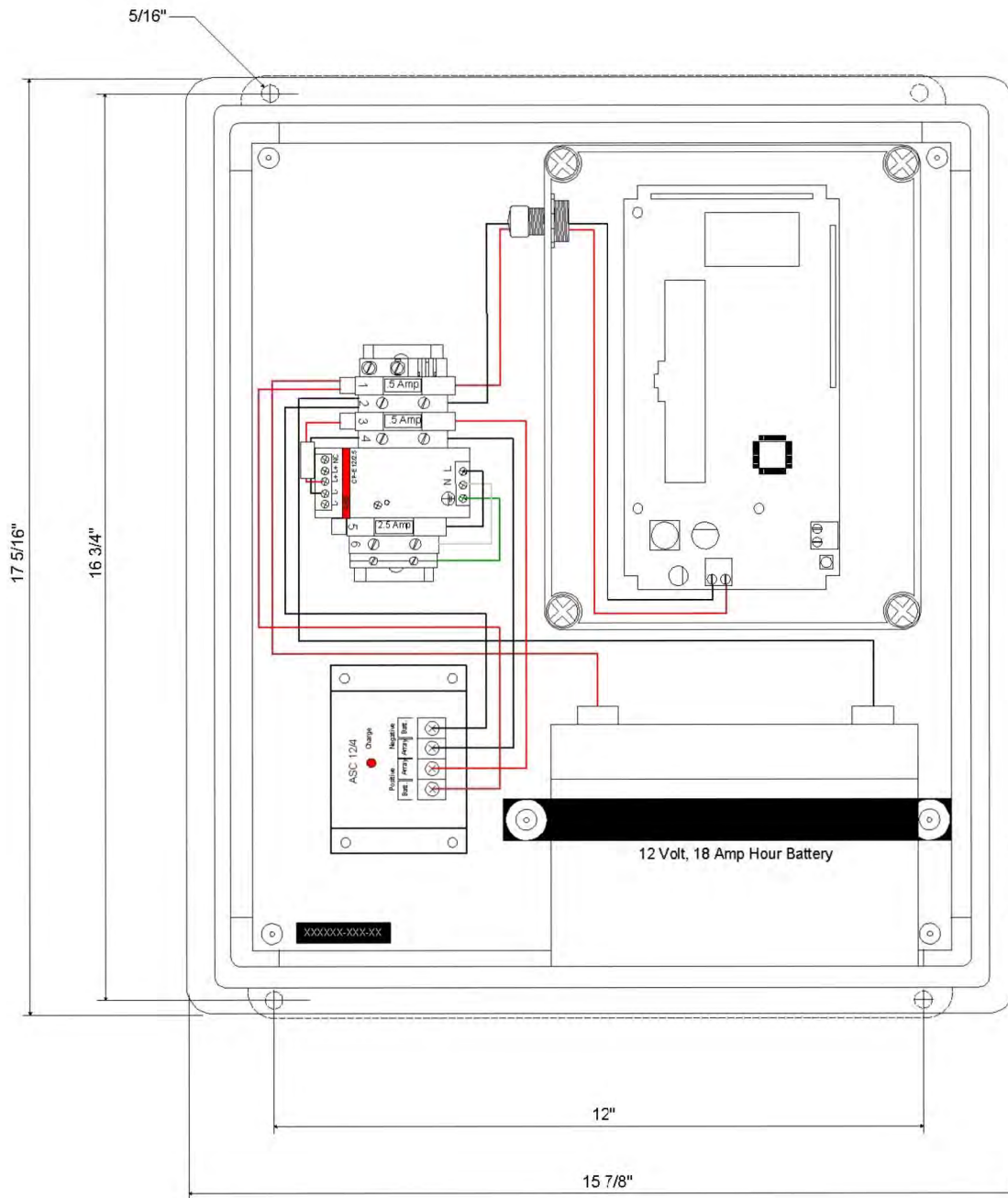
REV.	DESCRIPTION	BY	DATE	APVD
*	INITIAL RELEASE		10/06/21	


CKD		IIOT-5000 SOLAR POWERED REPEATER
APVD		
SHEET 1 OF 1		General Arrangement and Wiring
DRAWING NO: 5000-WGA		Part Number: IIOT-5000

NOTICE:
THE INFORMATION CONTAINED IN THE DRAWING IS PRIVATE AND CONFIDENTIAL AND IS INTENDED ONLY FOR THE USE OF THE RECIPIENT. IF THE RECIPIENT IS NOT THE INTENDED RECIPIENT, YOU ARE HEREBY NOTIFIED THAT ANY DISSEMINATION, DISTRIBUTION OR COPY OF THIS COMMUNICATION IS STRICTLY PROHIBITED.



IIoT Technology Innovations, LLC.
24130 State Highway 249, Suite 150, Tomball, Texas 77375
Phone: (281) 734-3322



					CKD:		IIOT-5100 AC POWERED REPEATER	<small> -NOTICE- THE INFORMATION CONTAINED IN THE DRAWING IS PRIVATE AND CONFIDENTIAL, AND IS INTENDED ONLY FOR THE USE OF THE RECIPIENT. IF THE RECIPIENT IS NOT THE INTENDED RECIPIENT, YOU ARE HEREBY NOTIFIED THAT ANY DISSEMINATION, DISTRIBUTION OR COPY OF THIS COMMUNICATION IS STRICTLY PROHIBITED. </small>	
				APVD:		<small>SHEET 1 OF 1</small> General Arrangement and Wiring			
					DRAWING NO:	5100-WGA	Part Number: IIOT-5100	IIoT Technology Innovations, LLC. 24130 State Highway 249, Suite 150, Tomball, Texas 77375 Phone: (281) 734-3322	
REV.	DESCRIPTION	BY	DATE	APVD					
-	INITIAL RELEASE		10/06/21						