



Limited Only By Your *Imagination*

Remote Transmitting Unit (RTU)

SolutioNet™ 4.0

Model IIOT-4000 Series

Capable of processing analog or digital protocols, this versatile instrument interfaces with most 4/20 mA or discrete signal sensors which may exist in the current environment or accept a multitude of IIOTTTI provided sensors such as accelerometers, pressure transducers, RTDs, thermocouple, and more. The Model IIOT-4000 Series base unit offers up to eight channels with independent programming for each channel and is expandable to up to 56 channels. It operates on AC or solar power and has an instantaneous battery backup system. Model IIOT-4000 Series devices also supply the 24 VDC loop power if required by the customer's installed field instruments.

Option: An additional discrete signal can be added for high level alarm. The approximate transmitting range is 3/4 mile or 1/2 kilometers. For greater distances, IIOTTTI Intelligent Repeaters expand the range to 7 miles or 11.3 kilometers. The IIOTTTI SolutioNet™ 4.0 integrated data connectivity system is ideal for collection and transmission of data throughout a region or around the globe.

Specifications:

Operating frequency	900 MHz (US), 868 MHz (Europe)
Channels	2,4,6,8 (Option: 1 discrete high level alarm)
Transmission rates	Programmable
Operating range	(.75 mi) (1.2 km)
Operating temperature	(-40°F to +185°F) (-40°C to +85°C)
Channel output power	16 to 24 VDC
Channel output time	Programmable
Humidity	0-95% non-condensing
Input options	4/20 mA or discrete by channel
Frequency Range (Vib)	2 Hz - 10kHz
Power requirement	12 to 24 VDC
Certification	CSA Class 1, Div. 2: A, B, C and D
Enclosure	Fiberglass NEMA 4X (4 in x 14 in x 16 in)(10.2 cm x 35.6 cm x 40.6 cm)
Weight (without battery)	(23 lb) (10.4 kg)
Mounting	Pipe (1.5 in) (3.8 cm), Wallmount, Unistrut

This
Datasheet
Contains
Protected
Information

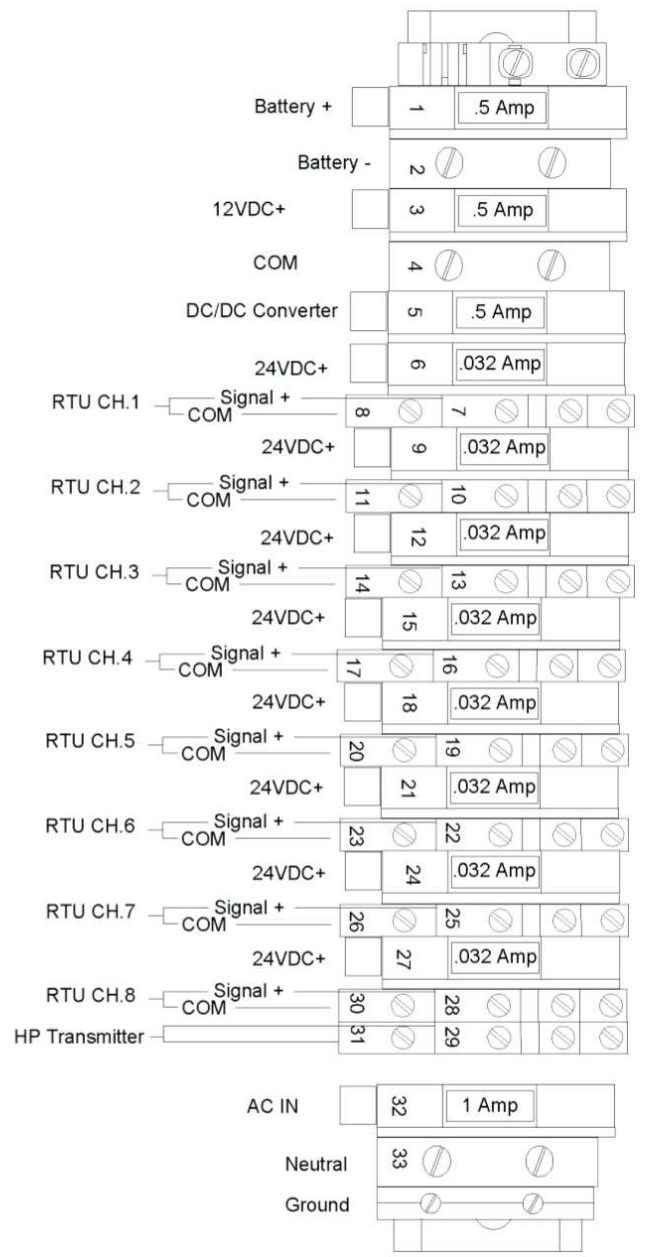
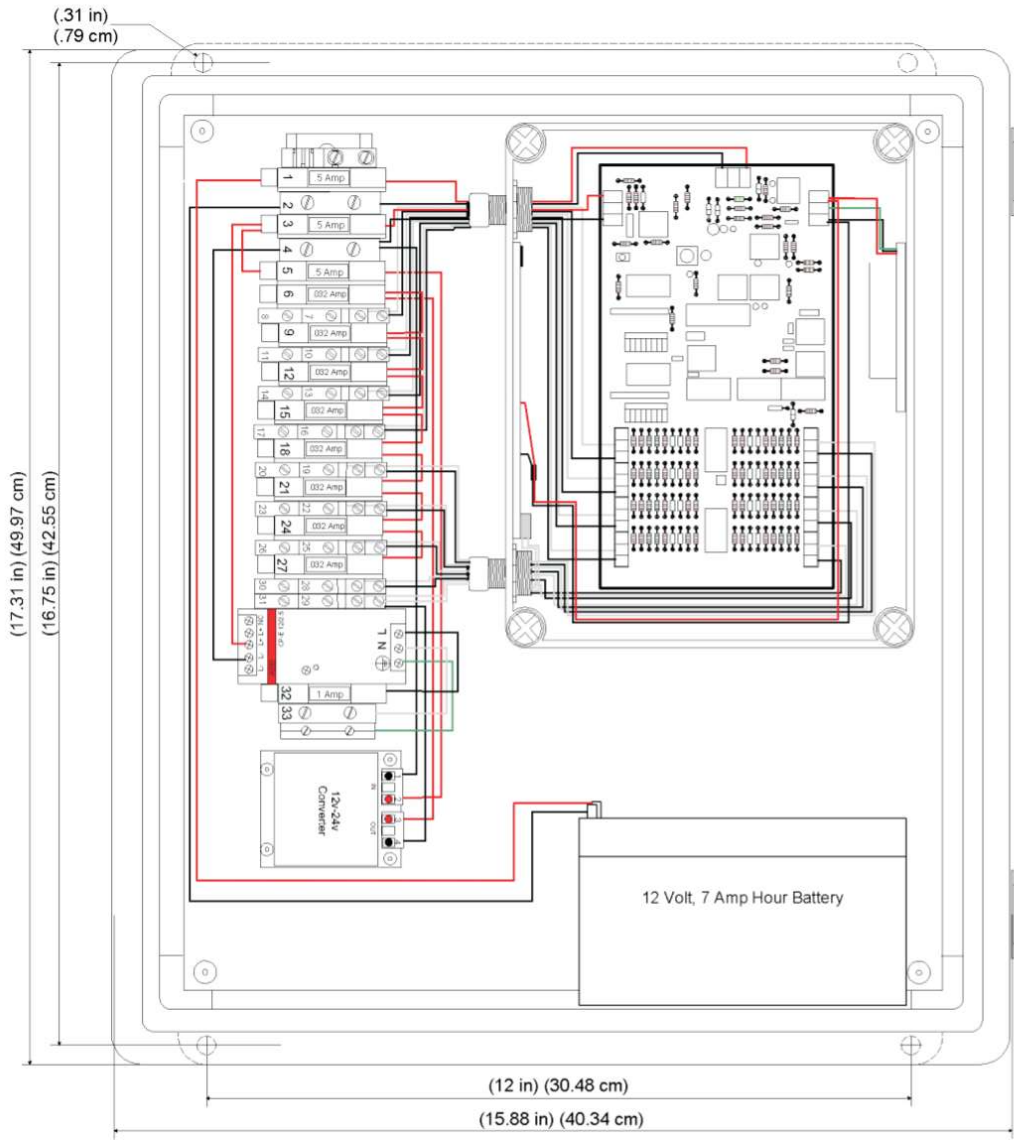
Developed to
interface with
most 4/20 mA
or discrete
signals



Please refer
to test sheets
for final
parameters

© 2022 All rights reserved. IIOTTTI reserves the right to change this datasheet without notice

www.iiottti.com
(832) 458-8107
24130 State Highway 249 Suite 150
Tomball, TX 77375



CKD:	
APVD:	
SHEET 1 OF 1	
DRAWING NO: 4008-GA	
INITIAL RELEASE	
REV. DESCRIPTION	BY DATE APVD

IIOT-4000 Series Remote Transmitting Unit (RTU)
Base Build: 8ch - expandable up to 56ch

NOTICE: THE INFORMATION CONTAINED IN THIS DRAWING IS PRIVATE AND CONFIDENTIAL AND IS INTENDED ONLY FOR THE USE OF THE RECIPIENT. IF THE RECIPIENT IS NOT THE INTENDED RECIPIENT, YOU ARE HEREBY NOTIFIED THAT ANY DISSEMINATION, DISTRIBUTION OR COPY OF THIS COMMUNICATION IS STRICTLY PROHIBITED.

IIOT Technology Innovations LLC
 24130 State Highway 249, Suite 150, Tomball, Texas 77375
 Phone: (281) 734-3322

