

EchoTREK

SE/SG-300 series two-wire
compact ultrasonic level transmitters

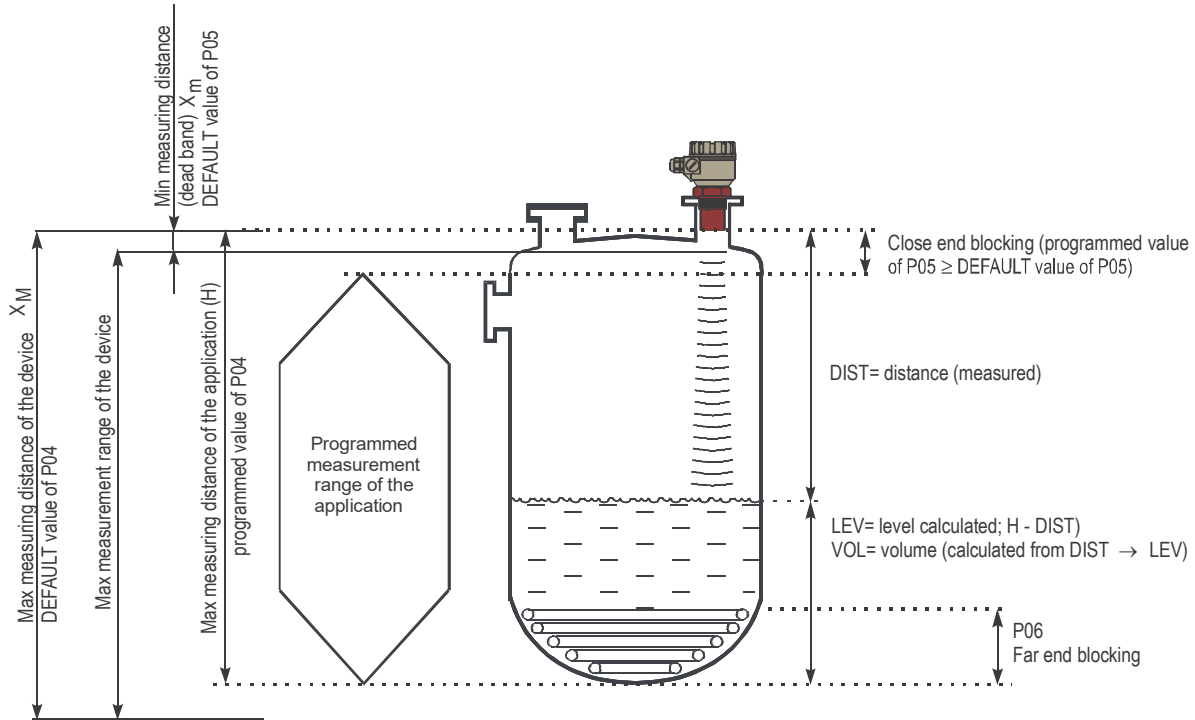
Installation and Programming Manual
15th edition



Manufacturer:
NIVELCO Process Control Co.
H-1043 Budapest, Dugonics u. 11.
Phone: (36-1) 889-0100 ■ Fax: (36-1) 889-0200
E-mail: sales@nivelco.com ■ www.nivelco.com



BASIC CONCEPTS AND ELEMENTS OF THE ULTRASONIC MEASUREMENT



CONTENTS

1. INTRODUCTION	5	6. PARAMETERS – DESCRIPTIONS AND PROGRAMMING	26
2. ORDER CODES	6	6.1 MEASUREMENT CONFIGURATION	26
3. TECHNICAL DATA	7	6.2 CURRENT OUTPUT	32
3.1 ACCESSORIES	11	6.3 RELAY OUTPUT	33
3.2 SPECIAL CONDITIONS OF SAFE USE	11	6.4 DIGITAL OUTPUT	33
3.3 MAINTENANCE AND REPAIR	11	6.5 MEASUREMENT OPTIMISATION	34
4. INSTALLATION	12	6.6 DATA LOGGER	38
4.1 LIQUID LEVEL MEASUREMENT	12	6.6.1 Reading data out from the logger	41
4.2 OPEN CHANNEL FLOW MEASUREMENT	14	6.7 VOLUME MEASUREMENT	42
4.3 INSTALLATION AND ELECTRICAL CONNECTION	14	6.8 VOLUME FLOW MEASURING	43
4.4 LOOP CURRENT CHECKING	14	6.9 32-POINT LINEARISATION	49
5. PROGRAMMING	15	6.10 INFORMATIONAL PARAMETERS (READ OUT PARAMETERS)	50
5.1 PROGRAMMING WITHOUT DISPLAY MODULE	16	6.11 ADDITIONAL PARAMETERS OF THE FLOW METERING	52
5.2 PROGRAMMING WITH THE SAP-200 DISPLAY MODULE	19	6.12 SUPPLEMENTARY PARAMETER OF THE LOGGER	52
5.2.1 SAP-200 Display Module	20	6.13 TEST PARAMETERS	53
5.2.2 Steps of the SAP-200 Display Module	20	6.14 SIMULATION	54
5.2.3 Indications of the SAP-200 and LED Status	21	6.15 ACCESS LOCK	54
5.2.4 QUICKSET	22	7. ERROR CODES	55
5.2.5 Full Parameter Access	24	8. PARAMETER TABLE	56
		9. SOUND VELOCITIES IN DIFFERENT GASES	58



*Thank you for choosing a NIVELCO instrument.
We are sure that you will be satisfied throughout its use.*

1. INTRODUCTION

Application

The EchoTREK compact ultrasonic level transmitters from NIVELCO are an excellent tool for the level measurement of liquids.

Level measurement technology based on the non-contacting ultrasonic principle is especially suited for applications where, for any reason, no physical contact can be established to the surface of the material to be measured.

Such reasons may include corrosive attack by the process medium against the measuring device material (acids), possible contamination (sewage) or particles of the process medium adhering to the measuring device (adhesive materials).

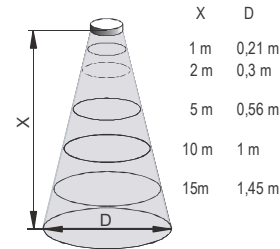
Principle of Operation

The ultrasonic level metering technology is based on the principle of measuring the time required for the ultrasound pulses to make a round trip from the sensor to the level to be measured and back. The sensor emits an ultrasonic pulse train and receives the echoes reflected. The intelligent electronic device processes the received signal by selecting the echo reflected by the surface and calculates from the time of flight the distance between the sensor and the surface which constitutes the basis of all output signals of the EchoTREK

Minimum measuring distance (X_m) is determined by the design of the unit within which the measurement is not possible (Dead Zone). This distance can be extended by programming in order to avoid disturbing effects of possible disturbing echoes coming from fixed objects. (Close-end Blocking).

Maximum measuring distance (X_M) is the greatest distance (determined by the design of the unit) which can be measured by the unit under ideal conditions. The maximum measuring distance of the actual application (H) must not be greater than X_M .

A Total beam angle of 5°-7° as is featured by most of Nivelco's SenSonic transducers ensuring a reliable measurement in narrow silos with uneven side walls as well as in process tanks with various protruding objects. Furthermore, as a result of the narrow beam angle - the emitted ultrasonic signals have an outstanding focusing - deep penetration through gases, vapour and foam is ensured.



Diameters
corresponding to
5° beam angle.

Dead Band is a feature common to all ultrasonic level meters.

It is specified as "Minimum measuring distance" in the Technical Data Table. Measurement within this range can not be interpreted.

2. ORDER CODES

Note: not all combinations are possible

EchoTREK S



TYPE	CODE
Transmitter	E
Transmitter with local indicator	G

TRANSDUCER / HOUSING	CODE
PP/Aluminium	A
PP + foam / Aluminum	D
PVDF / Aluminium	B
PTFE / Aluminium	T
S. steel / Aluminium	S
PP / Plastic	P
PP + foam / Plastic	G
PVDF / Plastic	V
PTFE / Plastic	F
S. steel / Plastic	M
PP / S. steel	K
PVDF / S. steel	W
PTFE / S. steel	L
S. steel / S. steel	N

MEASURING RANGE *	CODE
15; 25 m	2
12; 15 m	4
7; 10 m	6
6; 8 m	7
5; 6 m	8
3; 4 m	9

MOUNTING	CODE
BSP thread	0
NPT thread	N
DN 80 PN 16 / PP	2
DN 100 PN 16 / PP	3
DN 125 PN 16 / PP	4
DN 150 PN 16 / PP	5
DN 200 PN 16 / PP	6
DN 250 PN 16 / PP	7
DN 300 PN 16 / PP	8
3" FF 150 psi / PP	A
4" FF 150 psi / PP	B
5" FF 150 psi / PP	C
6" FF 150 psi / PP	D
8" FF 150 psi / PP	E
12" FF 150 psi / PP	Y
10K 80 A / PP	G
10K 100 A / PP	H
200 mm bracket	K
500 mm bracket	L
700 mm bracket	M
10K 125 A / PP	P
10K 150 A / PP	R
10K 200 A / PP	S
10K 300 A / PP	Z

OUTPUT	CODE
4 ... 20 mA / LOGGER	1
4 ... 20 mA	2
4 ... 20 mA / HART / LOGGER	3
4 ... 20 mA / HART	4
4 ... 20 mA / LOGGER / Ex	5
4 ... 20 mA Ex	6
4 ... 20 mA / HART / LOGGER / Ex	7
4 ... 20 mA / HART / Ex	8
4 ... 20 mA / LOGGER / Relay	L
4 ... 20 mA / Relay	R
4 ... 20 mA / HART / LOGGER / Relay	A
4 ... 20 mA / HART / Relay	H

* Measuring range depends on the material of the transducer


The order code of an Ex version should end in "Ex"

3. TECHNICAL DATA

GENERAL DATA

Transducer materials	PP, PVDF, PTFE, Stainless steel, PP + foam
Housing material	Plastic: Glass fibre plastic PBT; Metal: Paint coated aluminium, Stainless steel
Process temperature	PP, PVDF and PTFE transducers: -30 °C ... +90 °C Stainless Steel transducer: -30°... +100°C (120°C for max. 2 hours)
Ambient temperature	Plastic housing: -25°C ... +70°C Aluminium housing -30 °C ... +70 °C with display -25°C ... +70°C
Pressure ⁽¹⁾ (Absolute)	0.5 ... 3 bar (0.05 ... 0.3 MPa), Stainless steel versions 0.9 ... 1.1 bar (0.09 ... 0.11 MPa)
Seals	PP transducer: EPDM All other transducer versions: FPM
Ingress protection	Sensor: IP68 Housing: IP67 (NEMA 6)
Power supply	12 ⁽³⁾ ...36 V DC, / 48 mW ... 720 mW, galvanic isolation; protection against surge transients
Accuracy ⁽²⁾	± (0.2% of the measured distance plus 0.05% of the range)
Resolution	Depending on the measured distance < 2 m: 1 mm, 2...5 m: 2 mm, 5...10 m: 5 mm, > 10 m: 10 mm
Outputs	Analogue: 4 ... 20 mA (3.9 ... 20.5 mA) , $R_{max} = (U_i - 12V) / 0.02$ isolated protection against surge transients
	SPDT relay 30 V / 1 A DC; 48 V / 0.5 A AC
	Loop power test connectors: 2 pins for mV meter range 200 mV, 0.5%
	Display: 6 digits, icons and bargraph, (on SAP-200 display module only) Serial communication: HART interface (terminal resistor 250 Ohm)
Electrical connection	2 x M20x1.5 Metal, Cable Ø7 ... 13 mm or M20x1.5 Plastic, Cable Ø6 ... 12 mm and 2 x ½" NPT for cable gland; Wire cross section: 0.5 ... 1.5 mm ²
Electrical protection	Class III

ADDITIONAL DATA FOR EX APPROVED MODELS

Ex marking	 Ex ia IIB T6..T4 Ga
Intrinsic safety	$C_i \leq 15 \text{ nF}$, $L_i \leq 200 \text{ } \mu\text{H}$, $U_i \leq 30 \text{ V}$, $I_i \leq 140 \text{ mA}$, $P_i \leq 1 \text{ W}$ Use with Ex ia certified power supply only
Ex approved power supply	$U_0 < 30 \text{ V}$, $I_0 < 140 \text{ mA}$, $P_0 < 1 \text{ W}$, Range of power supply 12 V ... 30 V, $R_{s \text{ max}} = (U_s - 12V) / 0.02A$
Medium temperature	For PP transducer -20 °C ... +70 °C, for PVDF transducer -20 °C ... +80 °C; Temp. class T6, for PTFE transducer -30 °C ... +90 °C; Temp. class T5, for stainless steel transducer: -30°C...+100°C, Temp. class T4
Ambient temperature	Metal housing: -30 °C ... +70 °C, with display: -25°C...+70°C, Plastic housing: -20°C...+70°C

⁽¹⁾ For pressures below 1 bar representative of Nivelco should be consulted.

⁽²⁾ Under optimal circumstances of reflection and stabilised transducer temperature.

⁽³⁾ Only partial operation is provided. Reliable operation without any restrictions is guaranteed at >13.4V terminal voltage.

SPECIAL DATA OF THE TWO-WIRE EchoTREK WITH PP AND PVDF TRANSDUCERS (ALSO APPLY FOR EX MODELS)

TYPE	SE□-39□-□ SG□-39□-□	SE□-38□-□ SG□-38□-□	SE□-37□-□ SG□-37□-□	SE□-36□-□ SG□-36□-□	SE□-34□-□ SG□-34□-□	SE□-32□-□ SG□-32□-□
Transducer material	PP or PVDF	PP or PVDF	PP or PVDF	PP or PVDF	PP or PVDF PP + foam	PP or PVDF
Maximum measuring distance * [m / ft]	4 / 13	6 / 20	8 / 26	10 / 33	15 / 49	25
Min. measuring distance* (Dead band) [m / ft]	0.2 / 0.65	0.25 / 0.82	0.35 / 1.2	0.35 / 1.2	0.45 / 1.5	0.6
Total beam angle (-3 dB)	6°	5°	7°	5°	5°	7°
Measurement frequency	80 kHz	80 kHz	50 kHz	60 kHz	40 kHz	20 kHz
Process connection	1 ½" thread	2" thread	2" thread	Flange	Flange	Flange

* (from the transducer face)

SPECIAL DATA OF THE TWO-WIRE EchoTREK PTFE AND STAINLESS STEEL TRANSDUCERS (ALSO APPLY FOR EX MODELS)

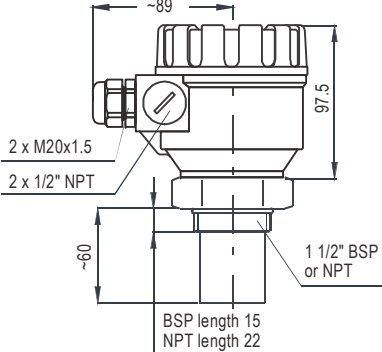
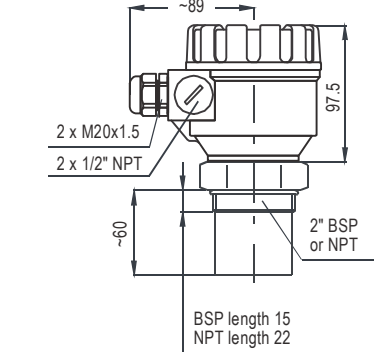
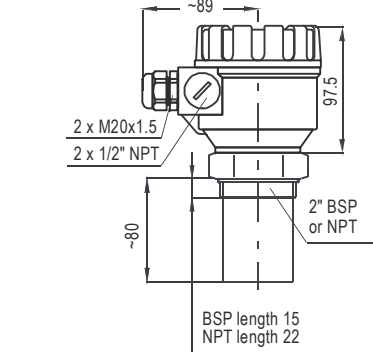
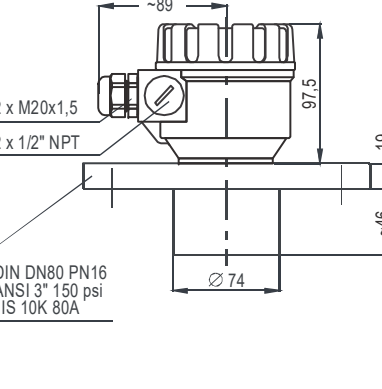
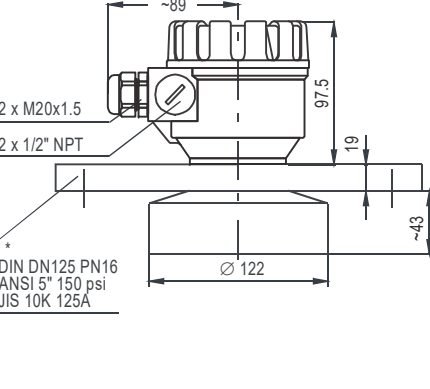
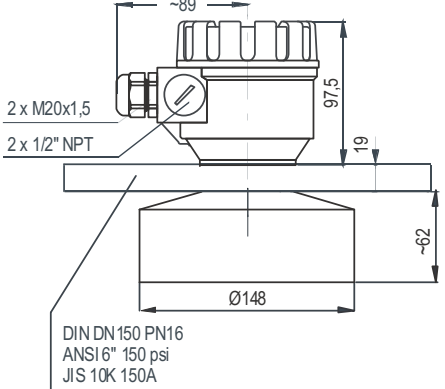
TYPE	SE□-39□-□ SG□-39□-□	SE□-38□-□ SG□-38□-□	SE□-37□-□ SB□-37□-□	SE□-36□-□ SG□-36□-□	SE□-34□-□ SG□-34□-□	SE□-32□-□ SG□-32□-□
Transducer material	PTFE	PTFE	PTFE	Stainless steel	Stainless steel	Stainless steel
Maximum measuring distance * [m/ft]	3 / 10	5 / 16	6 / 20	7 / 23	12 / 39	15 / 49
Min. measuring distance* (Dead band) [m/ft]	0.25 / 0.65	0.25 / 0.82	0.35 / 1.2	0.4 / 1.3	0.55 / 1.8	0.65 / 2.1
Total beam angle (-3 dB)	6°	5°	7°	5°	5°	7°
Measurement frequency	80 kHz	80 kHz	50 kHz	60 kHz	40 kHz	20 kHz
Process connection	1 ½" thread	2" thread	2" thread	Flange	Flange	Flange

* (from transducer face)

SAP-200 DISPLAY MODULE

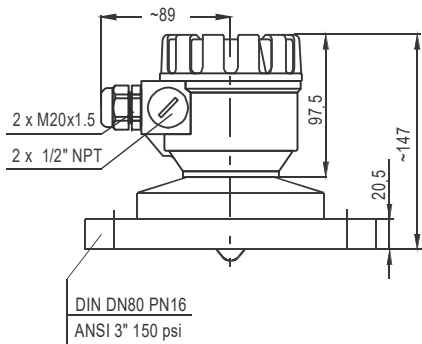
Field indication	6 digits Custom LCD, icons and bargraph
Ambient temperature	-25°C ... +70°C
Housing material	PBT fibre-glass reinforced plastic

Dimensions of the two-wire EchoTREK

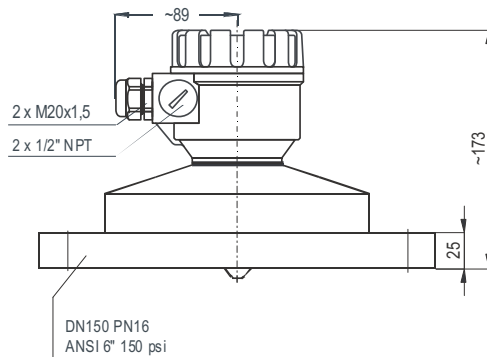
EchoTREK S□□-39□-□ / PP, PVDF, PTFE	EchoTREK S□□-3□8-□ / PP, PVDF, PTFE	EchoTREK S□□-37□-□ / PP, PVDF, PTFE
 <p>~89</p> <p>97.5</p> <p>2 x M20x1.5</p> <p>2 x 1/2" NPT</p> <p>~60</p> <p>1 1/2" BSP or NPT</p> <p>BSP length 15 NPT length 22</p>	 <p>~89</p> <p>97.5</p> <p>2 x M20x1.5</p> <p>2 x 1/2" NPT</p> <p>~60</p> <p>2" BSP or NPT</p> <p>BSP length 15 NPT length 22</p>	 <p>~89</p> <p>97.5</p> <p>2 x M20x1.5</p> <p>2 x 1/2" NPT</p> <p>~80</p> <p>2" BSP or NPT</p> <p>BSP length 15 NPT length 22</p>
EchoTREK S□□-36□-□ / PP, PVDF	EchoTREK S□□-34□-□ / PP, PVDF	EchoTREK S□□-32□-□ / PP, PVDF
 <p>~89</p> <p>97.5</p> <p>2 x M20x1.5</p> <p>2 x 1/2" NPT</p> <p>19</p> <p>~46</p> <p>Ø 74</p> <p>DIN DN80 PN16 ANSI 3" 150 psi JIS 10K 80A</p>	 <p>~89</p> <p>97.5</p> <p>2 x M20x1.5</p> <p>2 x 1/2" NPT</p> <p>19</p> <p>~43</p> <p>Ø 122</p> <p>* DIN DN125 PN16 ANSI 5" 150 psi JIS 10K 125A</p>	 <p>~89</p> <p>97.5</p> <p>2 x M20x1.5</p> <p>2 x 1/2" NPT</p> <p>19</p> <p>~62</p> <p>Ø 148</p> <p>DIN DN150 PN16 ANSI 6" 150 psi JIS 10K 150A</p>

* Min required flange size

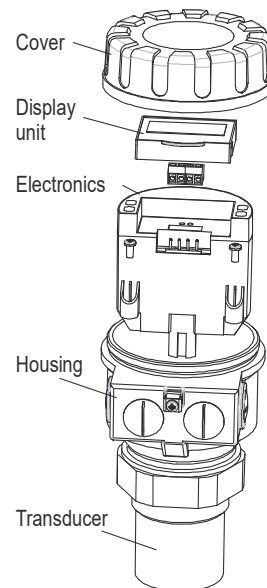
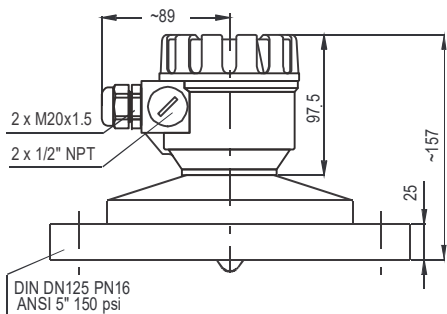
EchoTREK S□S-36□-□/ S. steel



EchoTREK S□S-32□-□/ S. steel



EchoTREK S□S-34□-□/ S. steel



3.1 ACCESSORIES

- Warranty Card
- Installation and Programming Manual
- Declaration of Conformity
- 2 x M20x1.5 cable gland
- SAP-200 Display Module (option)
- CD-ROM (EView2, DataScope softwares) (option)

3.2 SPECIAL CONDITIONS OF SAFE USE

- Intrinsically safe units with Ex ia IIB marking can only be used in certified intrinsically safe loops with the previously given technical data. (see values in *Additional data for Ex approved models* under Point 3)
- The PTFE transducers are made of plastic that can be loaded electrostatically therefore:
 - Filling and emptying speed should be selected according to the medium
 - Fog development of the dangerous material during filling should be avoided.
 - Cleaning of the plastic enclosure is not allowed in hazardous space.
- Equipment with plastic housing are susceptible to electrostatic charges, thus the devices must be protected against electrostatic charges.
- The aluminium content of equipment with metallic enclosure exceeds the limit, the devices must be protected against impact and friction effects.
- The device can be mounted into tanks with up to 3 bar process pressure. The apparatus is not suitable as a fire resistant barrier between the inside and the outside area. After mounting the unit, pressure test of the system should be carried out on a regular basis in accordance to the local regulations at 1.5 times higher pressure than the nominal pressure value.
- Devices should be grounded by connecting their grounding screws to the equipotential system.
- The device should read or programmed through IR port only outside of the explosive hazardous atmosphere because the infrared interface connected to the computer is not an explosion-proof apparatus.

3.3 MAINTENANCE AND REPAIR

The EchoTREK SE/SG series do not require maintenance on a regular basis. In some very rare instances, however, the transducer may need a cleaning from deposited material. **This must be carried out gently, without scratching or pressing the surface of the transducer.**

Repairs during or after the warranty period are carried out exclusively at the Manufacturers. The equipment sent back for repairs should be cleaned or neutralised (disinfected) by the User.

3.3.1 SOFTWARE UPGRADE

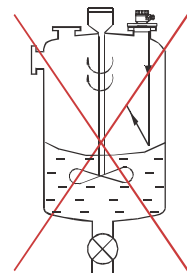
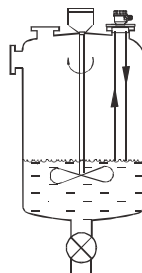
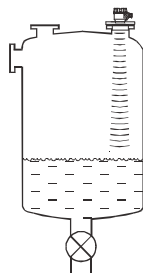
Based on the observations & needs of our customers NIVELCO constantly improves and revises the operating software of the device. The software can be upgraded with the help of the IrDA communication port of the SAP-200 or an ELink (USB) communication adapter plugged into the SAP-200 slot. For more information about software updates please contact Nivelco.

4. INSTALLATION

4.1 LIQUID LEVEL MEASUREMENT

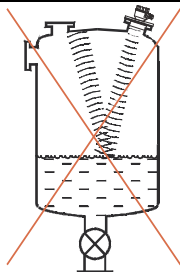
POSITION

The optimal position of the EchoTREK is on the radius $r = (0.3 \dots 0.5) R$ of the (cylindrical) tank / silo.
(Take also sonic cone on page 1 into consideration.)



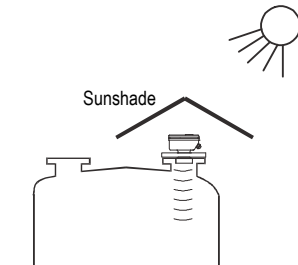
SENSOR ALIGNMENT

The sensor face has to be parallel to the surface of the liquid within $\pm 2-3^\circ$.



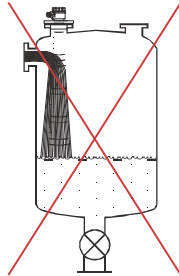
TEMPERATURE

Make sure that the transmitter will be protected against overheating by direct sunshine.



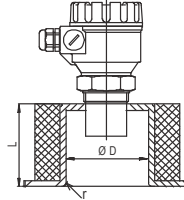
OBSTACLES

Make sure that no in-flow path or objects (e.g. cooling pipes, ladders, bracing members, thermometers, etc.) or no tank wall of the ragged surface protrude into the sensing cone of the ultrasonic beam. One fix object in the tank / silo that disturb the measurement can be blocked out by the appropriate programming of the EchoTREK



STAND-OFF PIPE

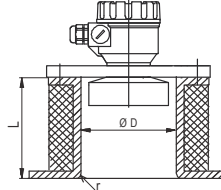
The structure of the stand off pipe should be rigid; the inner rim where the ultrasonic beam leaves the pipe should be rounded.



L	D _{min}		
	S □ □ - 39 □	S □ □ - 38 □	S □ □ - 37 □
150	50	60	60
200	50	60	75
250	65	65	90
300	80	75	105
350	95	85	120

FOAM

Foaming of the liquid surface may render ultrasonic level metering impossible. If possible, a location should be found, where foaming is the least (device should be located as far as possible from liquid inflow) or a stilling pipe or well should be used.



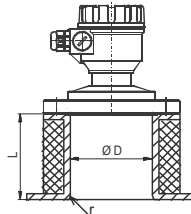
L	D _{min}		
	S □ □ - 36 □	S □ □ - 34 □	S □ □ - 32 □
90	80	*	*
200	80	*	*
350	85	*	*
500	90	*	*

* For values contact your distributor

WIND

Intensive air (gas) movements in the vicinity of the ultrasonic cone is to be avoided. A strong draft of wind may "blow away" the ultrasound.

Devices with lower measuring frequency (40, 20 kHz) are recommended.



L	D _{min}		
	S □ S - 36 □	S □ S - 34 □	S □ S - 32 □
320	80	-	*
440	-	125	*

FUMES / VAPOURS

For closed tanks containing chemicals or other liquids, which creates fume/gases above the liquid surface especially for outdoor tanks exposed to the sun, a strong reduction of the nominal measuring range of the ultrasonic device is to be considered during device selection.

Devices with lower measuring frequency (40, 20 kHz) are recommended in these cases units.

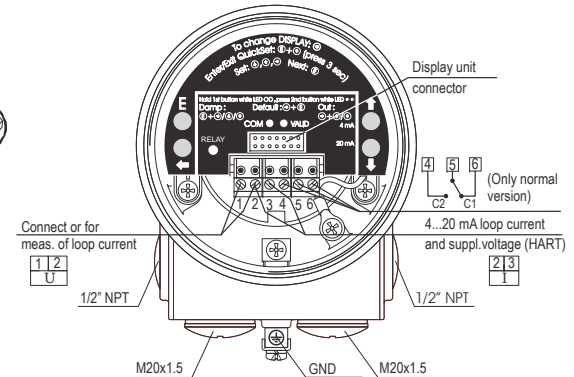
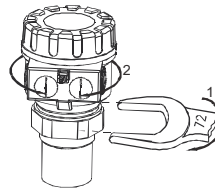
4.2 OPEN CHANNEL FLOW MEASUREMENT

- For ultimate accuracy, install the sensor as close as possible above the expected maximum water level (see minimum measuring range).
- Install the device in a place defined by the characteristics of the metering channel along the longitudinal axis of the flume or weir. In case of Parshall flumes supplied by NIVELCO the location of the sensor is marked.
- In some cases foam may develop on the surface. Make sure that the surface, opposite to the sensor remain free of foam for proper sound reflection.
- From the point of view of measurement accuracy the length of the channel sections preceding and following the measuring flume and their method of joining to the measuring channel section are of critical importance.
- Despite of the most careful installation, the accuracy of flow metering will be lower than that of specified for the distance measurement. It will be determined by the features of the flume or weir applied.

4.3 INSTALLATION AND ELECTRICAL CONNECTION

Installation of the (BSP or NPT) threaded models

- Screw the unit in to its place. Use open wrench for tightening; max torque is 20Nm
- After tightening the enclosure can be rotated to the proper position. (Safety bolt prevents rotation more than 350°)
- The unit may be damaged by electrostatic discharge (EDS) via its terminal, thus apply the precautions commonly used to avoid electrostatic discharge e.g. by touching a properly grounded point before removing the cover of the enclosure.
- Ensure that the power supply is turned off at the source.
- With removal of the cover of the housing and taking out the display module (if any), the screw terminals can be accessed. Suggested cable core cross section: 0.5 ... 1.5 mm². Arrange grounding by the inner or outer grounding screw first.
- Switch on the unit and make necessary programming.
- After programming ensure proper sealing and closing of the cover.



4.4 LOOP CURRENT CHECKING

After removing the cover (and the Display Module if there is any) the actual loop current can be measured with an accuracy of 0.5% by connecting an voltmeter (in the range of 200 mV) to the points indicated on the drawing above

5. PROGRAMMING

The EchoTrek can be programmed by the following two ways:

- **Programming** without Display Module see 5.1.
Assignment of the levels to the 4 and 20 mA current output, error indication by the analogue signal and damping can be set.
- **With the SAP-200 Display Module**, see 5.2.
All features of the unit can be set, such as measurement configuration and optimisation, 32-point linearisation, dimensions for 11 tanks with different shape and for 21 different open channels (flume, weir, etc).

Devices with the type number **EchoTREK SG...** are already equipped with the SAP-200.

The EchoTREK is fully operational without the SAP-200. The SAP-200 is only needed for programming and/or displaying measurement values.

The unit will measure during programming in accordance with the previous parameters. The new, modified parameters will only be effective after returning to the Measurement Mode

If the transmitter is left in Programming Mode by mistake, it will automatically return to Measurement Mode after 30 minutes and will operate with the parameters entered during the last completed programming.

The EchoTREK will be delivered with the following **Factory Default**:

- ⇒ Current output, display and bargraph: LEVEL
- ⇒ Current output and bargraph proportional to the level
- ⇒ 4 mA: assigned to the minimum level 0%
- ⇒ 20 mA: assigned to the maximum level 100%
- ⇒ Error indication by the current output: hold last value
- ⇒ Damping: 60 sec

5.1 PROGRAMMING WITHOUT DISPLAY MODULE

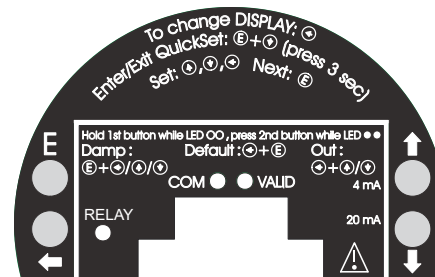
Programming is only possible if the EchoTREK is in Level Measuring Mode and receives valid echo i.e. “VALID” LED is lit!

The following can be programmed without display module

- Assignment of the 4 mA to a required e.g. min. level / max. distance
- Assignment of the 20 mA to a required e.g. max. level / min. distance
- Error indication by the current output (Hold, 3.6 mA or 22 mA)
- Damping (10, 30 or 60 sec)
- Reset to the factory default

Note: Current output can also be assigned in inverted mode:

4 mA = 100% (Full), 20 mA = 0% (Empty)



Procedure of programming: press button in the relevant sequence and check the state of the LED-s. Symbols for the states of the LED-s:

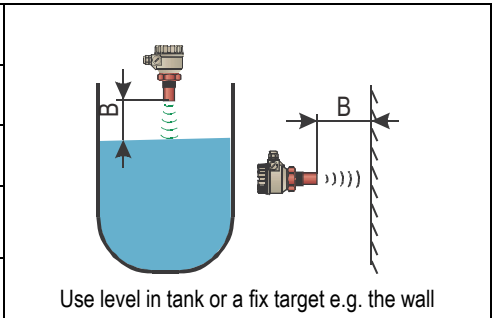
○ = LED is off, ● = LED is blinking, ●● = LED is on, ●○ = LEDs are blinking alternatively ⊗ = Dont care

Minimum level, (0%, empty tank) assignment to 4 mA

Action	Led state following the action	
1) Check for a valid ECHO	⊗● = Valid ECHO, transmitter programmable	
2) Press NEXT [Right] button steadily	○○ = EchoTREK in programming mode	
3) Press UP [Up] button steadily	●● = 4 mA assigned to the distance (see picture)	
4) Release buttons	○○ = Programming completed	

Maximum level (100%, full tank) assignment to 20 mA

Action	Led state following the action
1) Check for a valid ECHO	⊗● = Valid ECHO, transmitter programmable
2) Press NEXT (⊕) button steadily	○○ = EchoTREK in programming mode
3) Press DOWN (⊖) button steadily	●● = 20 mA as signed to the distance (see picture)
4) Release buttons	○○ = Programming completed



“Error state” indication by the analogue signal (Check for a valid echo as above)

As a result of this setting the value of the analogue output will be 3.8 mA; 22 mA or according last value (hold) until the error is ceased.

Action	Led state following the action
1) Press (⊕) button steadily	○○ = EchoTREK in programming mode
2) Press any of the DOWN (⊖), ENTER (E), NEXT (⊕) buttons steadily	●● = – hold last value – 3.6 mA – 22 mA
3) Release buttons	○○ = Programming completed

Damping time setting (Check for a valid echo as above)

Action	Led state following the action
1) Press ENTER (E) button steadily	○○ = EchoTREK in programming mode
2) Press any of the NEXT (←), UP (↑), DOWN (↓) buttons steadily	●● = – 10 sec – 30 sec – 60 sec
3) Release buttons	○○ = Programming completed

RESET: Returning to the default (Check for a valid echo as above)

Action	Led state following the action
1) Press NEXT (←) button steadily	○○ = EchoTREK in programming mode
2) Press ENTER (E) button steadily	●● = Default loaded

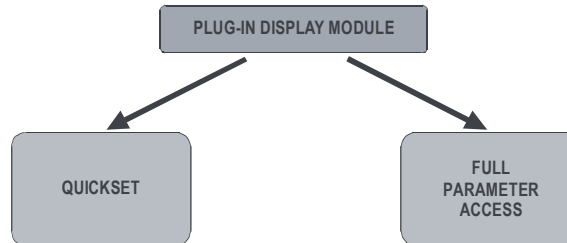
Indication of mistakes (by LEDs) made during programming

Action	Led state following the action	Possible correction
Attempted programming	●● = blinking twice = no Echo	Find a valid Echo
Attempted programming	●● = blinking three times = no access possible	With SAP-200 only See 5.2 (P99)
Attempted programming	●● = blinking four times = EchoTREK not in Level Measurement Mode	With SAP-200 only See 5.2 (P01)

5.2 PROGRAMMING WITH THE SAP-200 DISPLAY MODULE

The EchoTREK should be adjusted to the process by programming the parameters. The SAP-200 Display Module can be used to display the parameters during programming and measurement values during measurement.

The SAP-200 supports two separately accessible programming modes representing 2-layers of programming complexity, depending on user choice.



QUICKSET (5.2.4)

Recommended as a simple and fast way to set up the EchoTREK by 6 basic parameters for the following basic settings, marked by abbreviations easy to remember

- Engineering unit for the display (Metric or US)
- Maximum measuring distance (H)
- Assignment of min level to 4 mA
- Assignment of max level to 20 mA
- Error indication by the current output
- Damping time

Full Parameter Access (5.2.5)

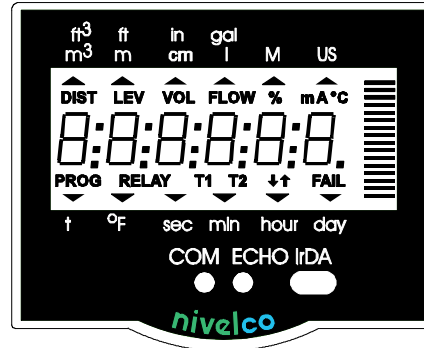
All features of the EchoTREK such as:

- Measurement configuration
- Outputs
- Measurement optimisation
- 11 pre-programmed tank shapes for volume calculation
- 21 pre-programmed formula for flow metering
- 32-point linearisation

5.2.1 SAP-200 Display Module

Symbols used on the LCD:

- **DIST** – Distance (measuring) mode
- **LEV** – Level (measuring) mode
- **VOL** – Volume (measuring) mode
- **FLOW** – Open channel (flow metering) mode
- **PROG** - Programming mode (device under programming)
- **RELAY** – ‘C2’ circuit of the relay is closed
- **T1** - TOT1 volume flow totaliser (resetable aggregate)
- **T2** - TOT2 volume flow totaliser (aggregate)
- **FAIL** - Measurement / device error
- **↑ ↓** - Level changing direction
- Bargraph assigned to the current output or echo strength



Symbols used on the frame:

- **M** – Metric system
- **US** – US calculation system

LEDs lit

- **COM** – digital (Hart) communication
- **VALID** – presence of valid echo

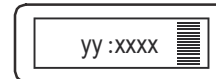
IrDA – Infrared communication port for logger readout, diagnostics and software upgrade.

5.2.2 Steps of the SAP-200 Display Module

Programming will be performed by the pressing and releasing the relevant one or two keys (simultaneously).

Single key pressing

- ENTER** (E) to select parameter address and go to parameter value
to save parameter value and return to parameter address
- NEXT** (←) to move the blinking (sign of change) of the digit to the left
- UP** (↑) to increase value of the blinking digit
- DOWN** (↓) to decrease value of the blinking digit

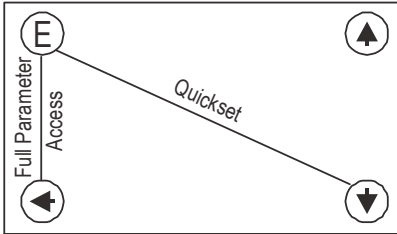


- yy** parameter address (P01, P02...P99)
- xxxx** parameter value (dcba)
- ▬▬▬** bargraph

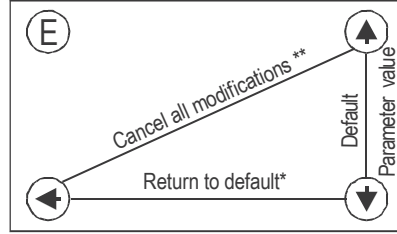
Double key pressing

Press the two keys simultaneously for desired programming step.

Enter into or quit programming modes

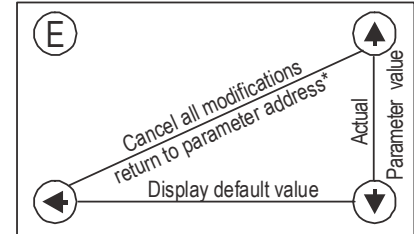


Basic steps while parameter address is blinking



* LOAD readout ** CANCEL readout

Basic steps while parameter value is blinking



* cancellation immediately active

GET LEVEL function

Special function used only in level and distance measurement modes UP \uparrow + DOWN \downarrow

Notes:

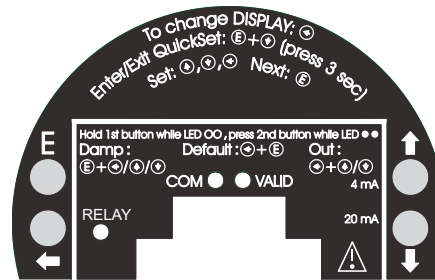
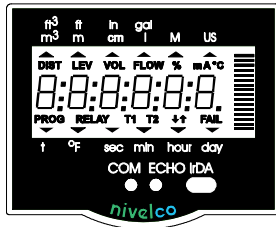
If after pressing ENTER (E) blinking does not spring over from the parameter address to the parameter value this means that

- the parameter is either a read-out type, or
- the secret code prevents the modification (see P99)

If the modification of the parameter value is not accepted i.e. the parameter value keeps blinking after pressing ENTER (E),

- the modified value is either out of the range, or
- the code entered is not a valid code

5.2.3 Indications of the SAP-200 and LED Status



LED indication

- **VALID (ECHO)-LED**
lit in case of valid echo.
- **COM-LED**
see description of HART
- **RELAY-LED**
ON – when the 'C2' circuit of the relay is closed

SAP-200 indications

Depending on the measurement one of the below symbols will lit and the process value displayed (see P01 chapter 6.1). Engineering units will be indicated directly (°C, °F and mA) and by the lit arrow showing towards them on the frame

- DIST distance
- LEVlevel
- VOL volume
- FLOW flow
- T1/T2 totalised values
- FAIL (blinking) Error code displayed

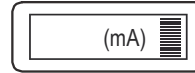
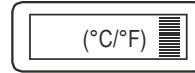
For paging readouts NEXT \leftarrow key should be pressed.

The following process values can be displayed

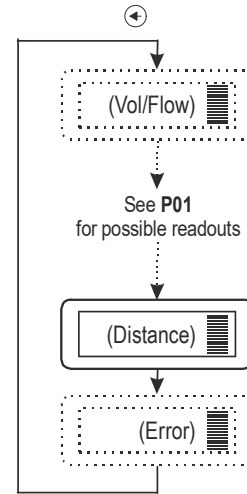
- Volume / Flow – if programmed so
- Level – if programmed so
- Distance – if programmed so
- Warning indications – FAIL blinking

Display screens can be scrolled by pressing key NEXT \leftarrow . To return to the screen of the selected measurement mode key ENTER E should be pressed (see P01 chapter 6.1)

Temperature can be displayed by pressing UP \uparrow .



Current output value can be displayed by pressing DOWN \downarrow .



5.2.4 QUICKSET

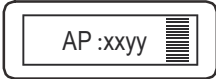
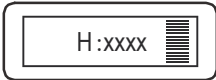
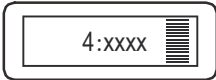
Recommended as a simple and fast way to start up EchoTREK.

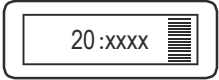
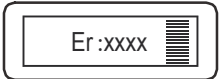
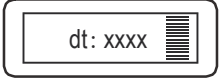
QUICKSET programming (aided by 6 screens) is used in uncomplicated level metering applications to set the 6 basic parameters. The other parameters can only be modified in the Full Parameter Access Mode see 5.1 (P01).

The instructions of this programming mode are also to be found on the front panel above the Display Module socket.



Keys	Function
ENTER (E) + DOWN (D) (press for min 3 secs!)	Enter or exit QUICKSET programming mode
UP (U), DOWN (D), NEXT (N)	Increase/decrease and move left the blinking digit
UP (U) + DOWN (D)	"GET LEVEL" - display actual level measured by the EchoTREK
ENTER (E)	Save readout and step to the next screen
NEXT (N) + UP (U)	Quit Current Output Scaling without saving the modifications (CANCEL))
NEXT (N) + DOWN (D)	Display of the DEFAULT value.

Screens	Actions
	<p>Application xx= select "EU" (European) for metric or "US" for US engineering units (Use UP (U) /DOWN (D) keys) yy= indicating "Li" for liquids DEFAULT: EU</p> <div style="border: 1px solid black; padding: 5px; text-align: center;"> <p>Programming of this parameter will result in loading the factory default with the corresponding engineering units.</p> </div>
	<p>H = xxxx maximum measuring distance – Distance between transducer face and tank bottom Manual: set value (Use UP (U) /DOWN (D) /NEXT (N) keys) and save it (by ENTER (E)) Automatic: use the "GET LEVEL" function (UP (U) + DOWN (D)) to obtain actual measured value with level in tank or a fixed target, i.e. wall. ("GET LEVEL" functions only if ECHO LED is lit) and save it as above. DEFAULT: maximum measuring distance [m], see Technical Data Table</p>
	<p>4 mA xxxx – level value assigned to 4 mA current output Manual: set level value (by UP (U) /DOWN (D) /NEXT (N) keys) and save it (by ENTER (E)) Automatic: use the "GET LEVEL" function (UP (U) + DOWN (D)) to display the actual measured value with level in tank or a fixed target, i.e. wall. ("GET LEVEL" functions only if ECHO LED is lit) and save it as above. DEFAULT: 0 m (0%, Empty tank)</p>

Screens	Actions
	<p>20 mA xxxx – level value assigned to 20 mA current output</p> <p>Manual: set level value (Use UP \uparrow / DOWN \downarrow / NEXT \leftarrow keys) and save it (by ENTER E)</p> <p>Automatic: use the “GET LEVEL” function (UP \uparrow + DOWN \downarrow) to obtain actual measured value with level in tank or a fixed target, i.e. wall. (“GET LEVEL” functions only if ECHO LED is lit) and save it as above.</p> <p>DEFAULT: max. level = max. measuring distance – dead band [m] (100%, Full tank) (See Technical Data Table)</p>
	<p>Error indication by the current output – select “Hold”, 3.8 mA or 22 mA (by UP \uparrow / DOWN \downarrow key) and save it as above.</p> <p>DEFAULT: hold last value</p>
	<p>damping time: select required damping time (by UP \uparrow / DOWN \downarrow key) and save it as above.</p> <p>DEFAULT: 60 sec for liquids, 300 sec for solids</p>

Note: – Current output can also be programmed for inverted operation: 4 mA= 100% (Full), 20 mA= 0% (Empty)
– Description of failures can be found under the chapter 7 Error codes.

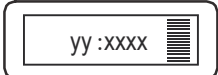
5.2.5 Full Parameter Access


Full Parameter Access is the highest programming level to access all features provided by the EchoTREK

Description of all parameters can be found under the chapter “Parameter” (Chapter 6.).

Keys	Function
ENTER E + NEXT \leftarrow (press for 3 seconds)	Enter or exit Full Parameter Access programming mode.

In this programming mode, the display will indicate:



yy Parameter Address (P01, P02 ... P99)
xxxx Parameter Value (dcba)
 bargraph

Measuring is going on during programming in accordance with the old parameter set. New parameter set will be valid after returning to the Measurement to the Programming Mode.

Steps and indications of the Full Parameter Access programming mode

pressing Keys	while Parameter Address is blinking	while Parameter Value is blinking
ENTER (E)	Go to the Parameter Value	Save the modification of the Parameter Value and return to the Parameter Address
NEXT (←) + UP (↑)	Cancel all modifications of the actual programming phase. Pressing for 3 sec is required while CANCEL will be displayed for warning	Neglect the modification of the Parameter Value. and return to the Parameter Address without saving the modifications
NEXT (←) + DOWN (↓)	Reset entire device to Factory Default. Since this action will reset all parameters, "LOAD" will appear on the display: - to confirm, press - to escape, press any other key - Exception: clearing TOT 1 (See at P77)	Display default of the Parameter Values (it can be saved by pressing ENTER (E))
NEXT (←)	Move blinking (changeability) of the digit to the left	
UP (↑) / DOWN (↓)	Modify the blinking digit (increase, decrease) or scroll up/down	

6. PARAMETERS – DESCRIPTIONS AND PROGRAMMING

6.1 MEASUREMENT CONFIGURATION

P00: - cba Application/Engineering Units

Programming of this parameter will result in loading the factory default with the corresponding engineering units.

a	Operating (measurement) mode
0	Liquid level measurement

b	Engineering units (according to "c")	
	Metric	US
0	m	ft
1	cm	inch

c	Calculation system
0	Metric
1	US

Attention: mind the sequence!
When programming this parameter the right value "a" will be blinking first.

FACTORY DEFAULT: 000

P01: - ba Measurement Mode – Bargraph

Parameter value „a” will determine the basic measurement value that will be displayed and proportional with the current output. Depending on the value of “a” process values as listed in the 3d column can also be displayed by pressing NEXT \leftarrow . For return to the display of the basic value the ENTER $\text{\textcircled{E}}$ key should be pressed.

a	Measurement Mode	Display symbol	Displayed values
0	Distance	DIST	Distance
1	Level	LEV	Level, Distance
2	Level in percentage	LEV%	Level%, Level, Distance
3	Volume	VOL	Volume, Level, Distance
4	Volume in percentage	VOL%	Volume%, Volume, Level, Distance
5	Flow	FLOW	Flow, TOT1, TOT2, Level, Distance

Attention: mind the sequence!
When programming this parameter the right value “a” will be blinking first.

Parameter value “b” will determine that the height of the Bargraph will be proportional to the current output or to the Echo strength.

b	Bargraph indication
0	Echo strength
1	Current output

FACTORY DEFAULT: 11

P02: - cba Calculation units

a	Temperature
0	°C
1	°F

Attention: mind the sequence!
When programming this parameter the right value “a” will be blinking first.

This table is interpreted according to P00(c), P01(a) and P02(c) and is irrelevant in case of percentage measurement (P01(a)= 2 or 4)

b	Volume		Weight (set also P32)		Volume flow	
	Metric	US	Metric	US	Metric	US
0	m ³	ft ³	-	lb (pound)	m ³ /time	ft ³ /time
1	liter	gallons	tons	tons	liter/time	gallons/time

c	Time
0	Sec
1	Min
2	Hour
3	Day

FACTORY DEFAULT: 000

P03: - - - a Values displayed - Rounding

It is important to keep in mind that the instrument is measuring distance as basic quantity.

Measured Distance	Resolution
$X_{\min} - 2m$	1mm
2m – 5m	2mm
5m – 10m	5mm
10m over	10mm

Displayed VOL or FLOW

Displaeyed Value	Display Format
0,000 – 9,999	x,xxx
10,000 – 99,999	xx,xx
100,000 – 999,999	xxx,x
1000,000 – 9999,999	xxxx,x
10000,000 – 99999,999	xxxxx,x
100000,000 – 999999,999	xxxxxx,x
1 millió – 9,99999*10 ⁹	x,xxxx : e (exponential format)
1*10 ¹⁰ over	(overflow) Err4

Rounding

Parameter Value “a”	Steps In The Displayed Value
0	1 (no rounding)
1	2
2	5
3	10
4	20
5	50

FACTORY DEFAULT: 0

The resolution depending on the distance can be considered as a kind of rounding that will be contained in all further value (of level, volume or volume flow) calculated. Therefore if programmed for DIST or LEV measurement the setting of P03 is irrelevant.

Obviously the decimal position will be shifted with increasing value displayed. (See table at the left).

Values over one million will be displayed in exponential format whereas the value (e) represents the exponent. Over the value of 1×10^{10} Err4 (overflow) will be displayed.

A couple of millimetres of fluctuation of the basic DIST value (e.g. due to waves) will be enlarged by the mathematical operations. This enlarged fluctuation in displaying VOL or FLOW can (if disturbing) be avoided by rounding to be set in P03. Rounding value 2, 5, 10 etc represents the steps by which the calculated value will be changed in its (one or two) last digit(s).

Examples:

P03=1 steps by 2: 1,000; 1,002; 1,004

P03=5 steps by 50: 1,000; 1,050; 1,100 or 10,00; 10,05(0); 10,10(0); 10,15(0)

(the 0 from the steps 50, 100, 150 etc will not be displayed)

P04 Maximum Distance to be Measured (H)

The maximum distance to be measured is the greatest distance between the surface of the transducer and the level to be measured.

This is the only parameter that has to be programmed for each application other than distance (however to avoid disturbing effect of possible multiple echos it is suggested to do this in distance measurement applications too).

Values of the maximum measuring distance will be displayed as below.

Engineering Unit	Display Format
m	x,xxx OF xx,xx
cm	xxx,x
ft	xx,xx OF xxx,x
inch	xxx,x

The factory programmed, greatest distances (DEFAULT values) which **can be measured** by the units are listed in the table below. For the actual application the maximum distance **to be measured** i.e. the distance between the sensor and the bottom of the tank should be entered in P04.

To obtain the best accuracy, measure this distance in the empty tank with the EchoTREK by using the "GET LEVEL" function (by double key pressing of UP ⬆ + DOWN ⬇) provided the bottom is flat. Enter the actual measured value displayed as P04.

EchoTREK	Maximum measuring distance [m/ft]		
	Transducer material PP / PVDF	Transducer material PTFE	Transducer material Stainless steel
S-39	4/13	3/10	-
S-38	6/20	5/16	-
S-37	8/26	6/20	-
S-36	10/33	-	7/23
S-34	15/49	-	12/39
S-32	25/82	-	15/49

FACTORY DEFAULT: according to the table

P05: Minimum measuring distance (Dead zone- Close-end blocking)

The EchoTREK will not accept any echo within the blocking distance set here.

Automatic Close-end-blocking (Automatic Dead Band control)

By using the factory default value, the unit will automatically set the smallest possible close-end-blocking distance i.e. the dead band.

Manual close-end-blocking

Manual close-end-blocking should be used for example to block out the echo originating from the bottom rim of a stand-off pipe or from any object protruding into the ultrasonic cone near to the transmitter.

By entering a value, higher than the factory default, the minimum measuring range will be extended and fixed to the specified value.

To return to the factoryprogrammed (DEFAULT value) of the minimum measuring distance press NEXT (←) + DOWN (↓).

EchoTREK	Minimum measuring distance X_M [m/ft]		
	Sensor material PP / PVDF	Sensor material PTFE	Sensor material Stainless steel
S-39	0.2 / 0.65	0.2 / 0.65	-
S-38	0.25 / 0.82	0.25 / 0.82	-
S-37	0.35 / 1.2	0.35 / 1.2	-
S-36	0.35 / 1.2	-	0.4 / 1.3
S-34	0.45 / 1.5	-	0.55 / 1.8
S-32	0.6 / 2	-	0.65 / 2.1

FACTORY DEFAULT: automatic dead band control

P06: Far end blocking

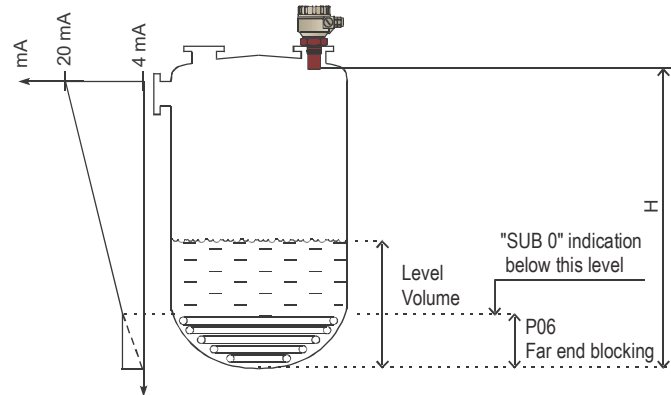
Far end blocking is used to neglect incorrect level/volume readings and output actions below a pre-set level programmed in P06.

A). Level measurement

The far-end blocking can be used to avoid disturbing effect of stirrer or heaters at the bottom of the tanks.

If the level of the medium sinks below the blocked out range:

- "Sub 0" will be indicated for the level and volume
- Distance value is not interpretable
- Current output will hold the value corresponding to the far end blocking level



If the medium level is above the blocked out range:

The calculation of level and volume will be based on the programmed tank dimensions, therefore the measured or calculated process values will not be influenced in any way, by the far end blocking value.

B). Open channel flow metering

Far end blocking will be used for those small levels below which the accurate volume flow calculation is no longer possible.

If the liquid level in the flume/weir falls below the blocked out range:

The EchoTREK will act as follows:

- Indicate "No Flow" on the Display
- Hold last valid data on the current output.

If the level in the flume/weir is above the blocked out range:

The calculation of volume flow will be based on the programmed flume/weir data; therefore the measurement values will not be influenced in any way, by the far end blocking value.

FACTORY DEFAULT: 0

6.2 CURRENT OUTPUT

P10: Value (of distance, level, volume or flow) assigned to 4 mA current output

P11: Value (of distance, level, volume or flow) assigned to 20 mA current output

Values are interpreted according to **P01(a)**. Please note that in case of programming for (LEV or VOL) % measurement the min and max value has to be entered in the relevant engineering units of LEV (m, ft) or VOL (m³, ft³).

Assignment can be made so that the proportion between the change of the (measured or calculated) process value and the change of the current output be either direct or inverse. E.g. lev 1 m assigned to 4mA and lev 10 m assigned to 20 mA represents direct proportion and lev 1 m assigned to 20 mA and lev 10 m assigned to 4 mA represents the inverse proportion.

FACTORY DEFAULT:

P10 0 level (max distance)

P11 max level (min distance) H

P12: --- a Error indication by the current output

In case of error the EchoTREK will provide one of the current outputs below. (For errors and their interpretation see Chapter 7).

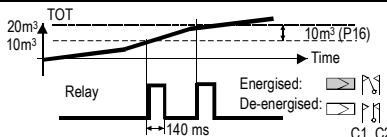
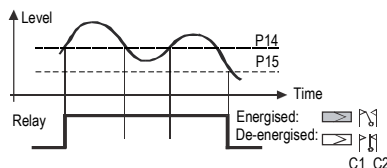
a	ERROR INDICATION (ACCORDING TO NAMUR)
0	Hold last value
1	3.8 mA
2	22 mA

FACTORY DEFAULT: 0

6.3 RELAY OUTPUT

P13: --- a Relay function

a	Relay function	Also set
0	<p>DIFFERENTIAL LEVEL CONTROL (Hysteresis control)</p> <p>Relay is energised if the measured or calculated value exceeds the value set in P14. Relay is de-energised if the measured or calculated value descends under the value set in P15.</p>	<p>P14, P15</p> <p>There is a need to set (in level min 20mm) hysteresis between P14 and P15</p> <p>P14 > P15 – normal operation P14 < P15 – inverted operation</p>
1	Relay is energised in case of Echo Loss	-
2	Relay is de-energised in case of Echo Loss	-
3	<p>COUNTER</p> <p>Used for open channel flow metering.</p> <p>A 140 msec pulse is generated every 1, 10, 100, 1.000 or 10.000 m³ according to P16.</p>	<p>P16= 0: 1m³ P16= 1: 10 m³ P16= 2: 100 m³ P16= 3: 1.000 m³ P16= 4: 10.000 m³</p>



In de-energised state of the device the „C1” circuit is closed.
The „Relay” LED is on when the „C2” circuit is closed.
FACTORY DEFAULT: **P13=2**

P14: ---- Relay parameter – Operating value

P15: ---- Relay parameter – Releasing value

P16: ---- Relay parameter – Pulse rate P13(3)

FACTORY DEFAULT: **P14=0, P15=0, P16=0**

6.4 DIGITAL OUTPUT

P19: --- a HART polling address (only HART capable types)

The polling address can be set between 0 and 15. For a single instrument the polling address is 0 and the output is 4..20 mA (analogue output). If multiple units are used in HART Multidrop mode (max. 15pcs) the polling addresses should differ from 0 (1-15), in this case the output current will be fixed at 4 mA.

6.5 MEASUREMENT OPTIMISATION

P20: --- a Damping

This parameter can be used to reduce unwanted fluctuation of the display and output.

a	Damping time (seconds)	LIQUIDS	
		None/moderate fume or waves	Heavy/dense fume or turbulent waves
0	no filter		
1	3	applicable	not recommended
2	6	recommended	applicable
3	10	recommended	recommended
4	30	recommended	recommended
5	60	recommended	recommended

FACTORY DEFAULT: 60 sec

P22: --- a Dome top tank compensation

This parameter can be used to reduce disturbing effect of possible multiple echos.

a	Compensation	Applied
0	OFF	In case the EchoTREK is not mounted in the centre of the top and the top is flat.
1	ON	In case the EchoTREK is mounted in the centre of a tank with dome-shaped top

FACTORY DEFAULT: 0

P24: --- a Target tracking speed

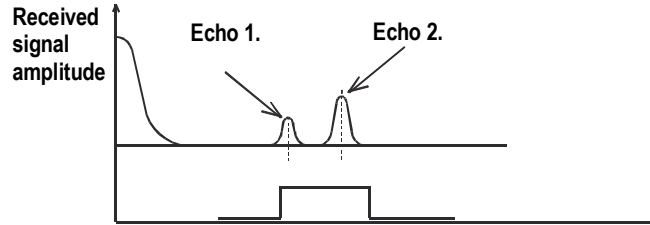
In this parameter evaluation can be speed up at the expense of the accuracy.

a	Tracking speed	Remark
0	Standard	For most applications
1	Fast	For fast changing level
2	Special	Only for special applications (measuring range is reduced to 50% of the nominal value) The measuring window is inactive and the EchoTREK will respond practically instantly to any target. Recommended to fast target tracking, but usually not applicable for level metering.

FACTORY DEFAULT: 0

P25: - - - a Selection of Echo within the measuring window

A so-called measuring window is formed around the echo signal. The position of this measuring window determines the flight time for calculation of the distance to the target. (the picture below can be seen on the test oscilloscope)



Some applications involve multiple (target + disturbing) echoes even within the measuring window. Basic echo selection will be done by the Quest + software automatically. This parameter only influences the echo selection within the measuring window.

a	Echo in the window to be selected	Remark
0	With the highest amplitude	For most applications (both with liquids and solids)
1	First one	For liquids applications with multiple echoes within the Measuring Window

FACTORY DEFAULT: 0

P26: Level elevation rate (filling speed) (m/h)

P27: Level descent rate (emptying speed) (m/h)

These parameters provide additional protection against echo loss in applications involving very heavy fuming.

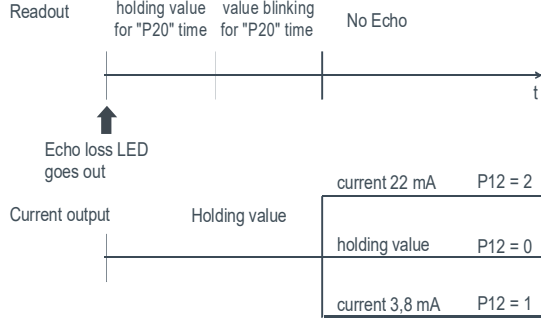
The parameters must not be smaller than the fastest possible filling/emptying rate of the actual technology.

For all other applications, use the factory default setting.

FACTORY DEFAULT:

2000 for both **P26** and **P27**

P28: - - - a Echo loss indication

a	Echo loss indication	Remark
0	Delayed indication	<p>During echo-loss, display and analogue output will hold last value. If the echo-loss prevails for 10 sec plus the time period set in P20 (damping time), the reading on the display will change to "no Echo" and the outputs will change according to the "Error Indication Mode" pre-set in P12</p> 
1	No indication	For the time of echo-loss, display and analogue output will hold last value.
2	Advance to full	During echo-loss in case of filling, the reading on the display and analogue output will shift towards the "full" tank state with a level elevation rate (filling speed) pre-set in P26
3	Immediate indication	In case of echo-loss, the display will immediately change to "no Echo", and the outputs will change according to the "Error Indication Mode" pre-set in P12
4	Empty tank indication	<p>Echo-loss may occur in completely empty tanks with a spherical bottom due to deflection of the ultrasonic beam, or in case of silos with an open outlet. If the echo is lost when the tank is completely empty, the indication will correspond to empty tank, in all other cases echo-loss indication will function according to the "Delayed".</p>

FACTORY VALUE: 0

P29: Blocking out of disturbing object

One fixed object in the tank, disturbing the measurement, can be blocked out.

Enter distance of the object from the transducer. Use the Echo Map (**P70**) to read out the precise distance of disturbing objects.

FACTORY DEFAULT: 0

P31: Sound velocity at 20°C (m/sec or ft/sec depending on P00(c))

Use this parameter if the sound velocity in the gases above the measured surface differs largely from that of in air.

Recommended for applications where the gas is more or less homogeneous. If it is not, the accuracy of the measurement can be improved using 32-point linearisation (**P48, P49**).

For sound velocities in various gases see section "Sound Velocities".

FACTORY DEFAULT: Metric (**P00**: "EU"): 343.8 m/s, US (**P00**: "US"): 1128 ft/s

P32: Specific gravity

If you enter a value (other than "0") of specific gravity in this parameter, the weight will be displayed instead of VOL.

FACTORY DEFAULT: 0 [kg/dm³] or [lb/ft³] depending on P00 (c)

6.6 DATA LOGGER

The logger of the device can store 12288 events. The registry is in a non-volatile (FLASH) memory, so the registry will retain its contents even in case of a power failure. The on-board clock of the device is protected against short power-outs, and keeps working for at least 15 days after the device is switched off. The battery protecting the clock needs at least two hours to be recharged.

The logger operates in two basic ways.

Linear logging, whereby an entry is logged after every time period configured in P35.

Event-controlled logging, whereby an entry is logged after an internal event occurs or condition is fulfilled.

The capacity of the registry allows the following logging times in linear logging mode:

P35 [min]	Time of logging	Note
0	3..5 hrs.	depends on device type and measurement cycle time
1	7..8 days	
5	40 days	
10	80 days	
60	500 days (16 months)	

Content of a log:

- entry time (with an accuracy of 1 minute)
- primary measured value (P01)
- level and distance values
- sensor temperature
- output current
- error and status variables

The registry can be erased in parameter P79. See: P79.

P34: - cba Logging mode

a	Operating mode	Parameters to be programmed
0	No logging	
1	Linear logging	P35 – interval (minute)
2	Event-controlled logging when the primary value changes	P35 – absolute value of variation
3	Event-controlled logging when primary value changes	P35 – variation in %
4	Event-controlled logging when the primary value gets out of range	P35, P36 – absolute values of range limits

b	Logging of errors and warnings (a>0)
0	No logging
1	Logging of all errors and warnings
2	Logging of errors only
3	Logging of NoEcho only

c	Logging of changes in status (a>0)
0	No logging
1	Logging of change in status

FACTORY SETTING: 000 (no logging)

Errors that may generate an entry if P34/b<>0: NOECHO, ERR 16, ERR12, ERR13, ERR14, ERR15, SUB0, ERR4, ERR5, PT ERR (temperature measurement error).

P35-36: Log value 1 and log value 2

P34a	Operating mode	Function of P35 and P36
0	No logging	
1	Linear logging	<p>P35 = 0 One entry after every measurement cycle. P35 <> 0 Logging interval (minutes) P36 Value is indifferent</p>
2	Event-controlled logging when the primary value changes	<p>P35 Absolute value of the change in the primary measured value (according to P01a) P35 is defined as the dimension of the primary measured unit. Log entry occurs if the value of the primary measured value deviates from the measured value of the previous cycle in any direction by the amount specified in P35. P36 Value is indifferent</p>
3	Event-controlled logging when the primary value changes	<p>P35 Relative (%) value of primary measured value (according to P01a) variation. P35 is a relative quantity so its dimension is percent. Log entry occurs if the value of the primary measured value deviates from the measured value of the previous cycle in any direction by the amount specified in P35. P36 Value is indifferent</p>
4	Event-controlled logging when the primary value gets out of range in any direction	<p>P35, P36 Absolute values of the limits of the range of the primary measured values (according to P01a). P35 and P36 have the same dimension as the primary measured value. Log entry occurs if the value of the primary measured value steps over the limit given in P35 and P36, in any direction. To monitor only one limit value, set it in P35 and let P36 be 0.</p>

FACTORY SETTING: P35 = 0, P36 = 0

P37: yyyy Real-time clock, year

Year setting for date of the on-board clock. (2005)

P38: mmdd Real-time clock, month and day

Month (mm) and day (dd) setting for date of the on-board clock.

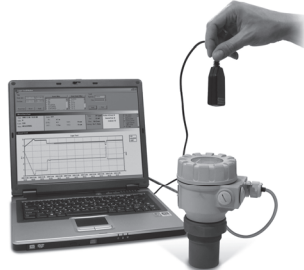
P39: HHMM Real-time hour and minute

Hour (HH) and minute (MM) setting of the on-board clock.

6.6.1 READING DATA OUT FROM THE LOGGER

The content of the log cannot be displayed with an SAP-200. Reading the logger is only possible with digital communication. For this purpose either the SAP-200's built-in IrDA port or an ELink (USB) communication adapter plugged into the SAP-200 slot can be used. The content of the log can also be read out via HART communication, but because of the slow speed of HART, it takes several hours. To access the data content the use of NIVELCO's DataScope program is recommended. During the high-speed communication with ELink or SAP-200 the device sets the output current to 22 mA. There is no measurement while retrieving data from the register, so measurement values are not updated.

Connecting to a PC using an IrDA adapter:



The IrDA adapter and the IrDA port of the device must be placed within a 5...10 cm distance and facing each other!

Recommended IrDA adapters:

(only IrDA to RS232 adapters can be used)*

* Recommended RS232-USB adapters for using the USB port: STLab: USB-RS232
MOXA: NPort-U1110, UPort 1110

- RedSnake: IL-200
- ActiSys: ACT-IR200S
ACT-IR220L+
ACT-IR220LR
- Esis: M8421

After connecting the adapters start DataScope program. The program and the User's Manual can be found on the website of NIVELCO.

6.7 VOLUME MEASUREMENT

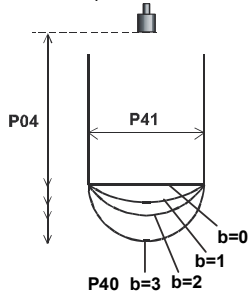
P40: -- ba Tank shape

ba	Tank shape	Also to be set	<p style="text-align: center;">Attention! The value „a” determining the shape of the tank should be set first.</p>
b0	Standing cylindrical tank shape (value of “b” as below)	P40 (b), P41	
01	Standing cylindrical tank with conical bottom	P41, P43, P44	
02	Standing rectangular tank (with chute)	P41, P42, (P43, P44, P45)	
b3	Lying cylindrical tank shape (value of “b” as below)	P40 (b), P41, P42	
04	Spherical tank	P41	

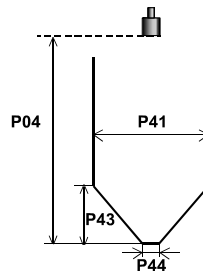
FACTORY DEFAULT: 00

P41-45: Tank dimensions

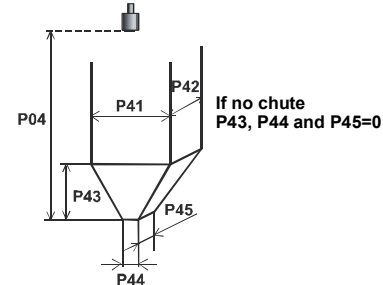
Standing cylindrical tank with hemispherical bottom



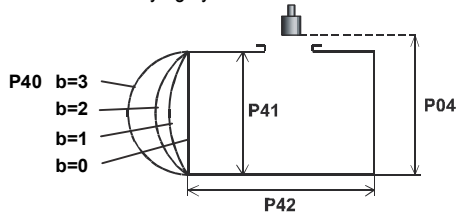
Standing cylindrical tank with conical bottom



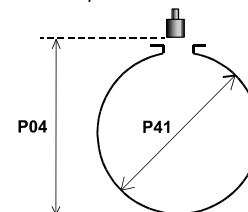
Standing rectangular tank with or without chute



Lying cylindrical tank



Spherical tank



6.8 VOLUME FLOW MEASURING

P40: -- ba Devices, formula, data

ba	Devices, formula, data					Also to be set	
	Type	Calculation formula	Qmin [l/s]	Qmax [l/s]	"P" [cm]		
00	Niveco Parshall flume	GPA-1P1	$Q[l/s]= 60.87 \cdot h^{1.552}$	0.26	5.38	30	P46
01		GPA-1P2	$Q[l/s]= 119.7 \cdot h^{1.553}$	0.52	13.3	34	P46
02		GPA-1P3	$Q[l/s]= 178.4 \cdot h^{1.555}$	0.78	49	39	P46
03		GPA-1P4	$Q[l/s]= 353.9 \cdot h^{1.558}$	1.52	164	53	P46
04		GPA-1P5	$Q[l/s]= 521.4 \cdot h^{1.558}$	2.25	360	75	P46
05		GPA-1P6	$Q[l/s]= 674.6 \cdot h^{1.556}$	2.91	570	120	P46
06		GPA-1P7	$Q[l/s]= 1014.9 \cdot h^{1.556}$	4.4	890	130	P46
07		GPA-1P8	$Q[l/s]= 1368 \cdot h^{1.5638}$	5.8	1208	135	P46
08		GPA-1P9	$Q[l/s]= 2080.5 \cdot h^{1.5689}$	8.7	1850	150	P46
09	General PARSHALL flume					P46, P42	
10	PALMER-BOWLUS (D/2)					P46, P41	
11	PALMER-BOWLUS (D/3)					P46, P41	
12	PALMER-BOWLUS (Rectangular)					P46, P41, P42	
13	Khafagi Venturi					P46, P42	
14	Bottom-step weir					P46, P42	
15	Suppressed rectangular or BAZIN weir					P46, P41, P42	
16	Trapezoidal weir					P46, P41, P42	
17	Special trapezoidal (4:1) weir					P46, P42	
18	V-notch weir					P46, P42	
19	THOMSON (90°-notch) weir					P46	
20	Circular weir					P46, P41	
21	General flow formula: $Q[l/s]= 1000 \cdot P41 \cdot h^{P42}$, h [m]					P46, P41, P42	

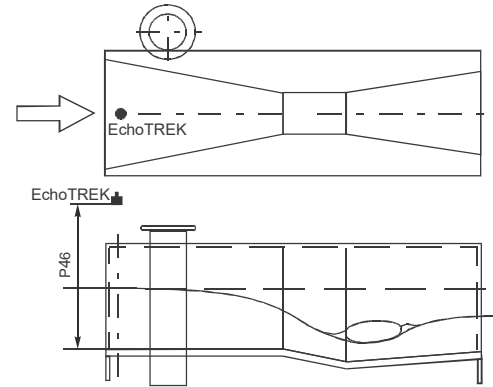
FACTORY DEFAULT: 0

FACTORY DEFAULT: 0

P40= 00

Nivelco Parshall flumes (GPA1P1 ... GPA-1P9)

For further details see the Manual of the Parshall flume



P40= 09

General Parshall flume

$0.305 < P42(\text{width}) < 2.44$

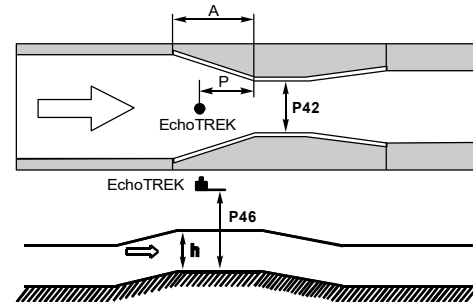
$$Q[\text{m}^3/\text{s}] = 372 \cdot P42 \cdot (h/0.305)^{1.569} P42^{0.026}$$

$2.5 < P42$

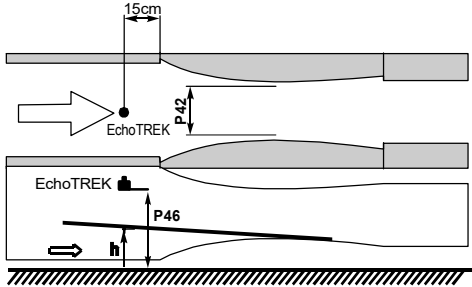
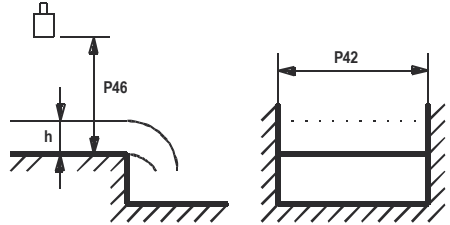
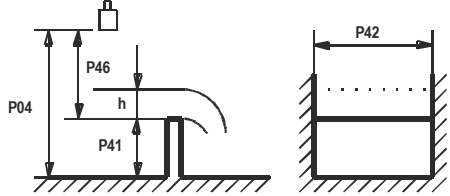
$$Q[\text{m}^3/\text{s}] = K \cdot P42 \cdot h^{1.6}$$

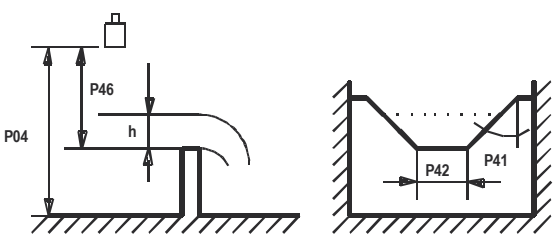
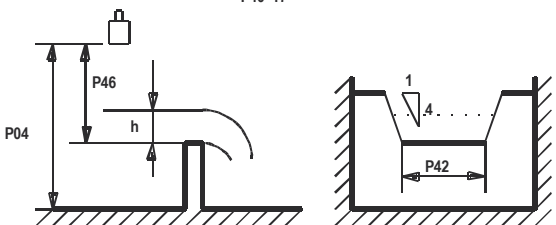
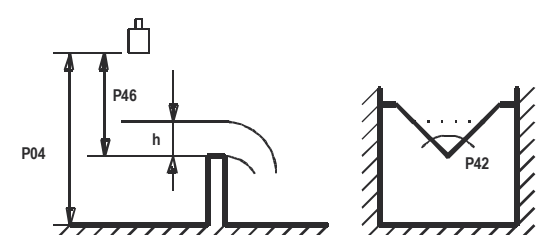
$$P = 2/3 \cdot A$$

P42[m]	K
3.05	2.450
4.57	2.400
6.10	2.370
7.62	2.350
9.14	2.340
15.24	2.320



<p>P40= 10</p>	<p>Palmer-Bowlus (D/2) flume</p> <p>$Q[m^3/s]= f(h1/P41)*P41^{2.5}$, where $h1[m]= h+(P41/10)$</p>	
<p>P40= 11</p>	<p>Palmer-Bowlus (D/3) flume</p> <p>$Q[m^3/s]= f(h1/P41)*P41^{2.5}$, where $h1[m]= h+(P41/10)$</p>	
<p>P40= 12</p>	<p>Palmer-Bowlus (Rectangular) flume</p> <p>$Q[m^3/s]= C*P42*h^{1.5}$, where $C= f(P41/P42)$</p>	

<p>P40= 13</p>	<p>Khafagi Venturi flume</p> <p>$Q[m^3/s]= P42*1.744*h^{1.5} + 0.091*h^{2.5}$</p>	
<p>P40= 14</p>	<p>Bottom step weir</p> <p>$0.0005 < Q[m^3/s] < 1$</p> <p>$0.3 < P42[m] < 15$</p> <p>$0.1 < h[m] < 10$</p> <p>$Q[m^3/s]= 5.073*P42*h^{1.5}$</p> <p>Accuracy: $\pm 10\%$</p>	<p>P40=14</p> 
<p>P40= 15</p>	<p>Suppressed rectangular or BAZIN weir</p> <p>$0.001 < Q[m^3/s] < 5$</p> <p>$0.15 < P41[m] < 0.8$</p> <p>$0.15 < P42[m] < 3$</p> <p>$0.015 < h[m] < 0.8$</p> <p>$Q[m^3/s]= 1.7599*[1+(0.1534/P41)]*P42*(h+0.001)^{1.5}$</p> <p>Accuracy: $\pm 1\%$</p>	<p>P40=15</p> 

<p>P40= 16</p> <p>Trapezoidal weir</p> <p>$0.0032 < Q[\text{m}^3/\text{s}] < 82$</p> <p>$20 < P41[^\circ] < 100$</p> <p>$0.5 < P42[\text{m}] < 15$</p> <p>$0.1 < h[\text{m}] < 2$</p> <p>$Q[\text{m}^3/\text{s}] = 1.772 * P42 * h^{1.5} + 1.320 * \text{tg}(P41/2) * h^{2.47}$</p> <p>Accuracy: $\pm 5\%$</p>		<p style="text-align: center;">P40=16</p> 
<p>P40= 17</p> <p>Special Trapezoidal (4:1) weir</p> <p>$0.0018 < Q[\text{m}^3/\text{s}] < 50$</p> <p>$0.3 < P42[\text{m}] < 10$</p> <p>$0.1 < h[\text{m}] < 2$</p> <p>$Q[\text{m}^3/\text{s}] = 1.866 * P42 * h^{1.5}$</p> <p>Accuracy: $\pm 3\%$</p>		<p style="text-align: center;">P40=17</p> 
<p>P40= 18</p> <p>V-notch weir</p> <p>$0.0002 < Q[\text{m}^3/\text{s}] < 1$</p> <p>$20 < P42[^\circ] < 100$</p> <p>$0.05 < h[\text{m}] < 1$</p> <p>$Q[\text{m}^3/\text{s}] = 1.320 * \text{tg}(P42/2) * h^{2.47}$</p> <p>Accuracy: $\pm 3\%$</p>		<p style="text-align: center;">P40=18</p> 

<p>P40= 19</p>	<p>THOMSON (90°-notch) weir</p> <p>$0.0002 < Q[m^3/s] < 1$</p> <p>$0.05 < h[m] < 1$</p> <p>$Q[m^3/s] = 1.320 \cdot h^{2.47}$</p> <p>Accuracy: $\pm 3\%$</p>	<p style="text-align: right;">P40=19</p>
<p>P40= 20</p>	<p>Circular weir</p> <p>$0.0003 < Q[m^3/s] < 25$</p> <p>$0.02 < h[m] < 2$</p> <p>$Q[m^3/s] = m \cdot b \cdot D^{2.5}$</p> <p>$m = 0.555 + 0.418h/P41 + (P41/(0.11 \cdot h))$</p> <p>Accuracy: $\pm 5\%$</p>	<p style="text-align: right;">P40=20</p>

P46: Distance between transducer face and level of Q=0

P46 is *always* the distance between the transducer face and the level, where the volume flow is 0.

FACTORY DEFAULT: 0

6.9 32-POINT LINEARISATION

P47: --- a Linearisation

Linearisation is the method of assigning requested (calibrated or calculated) level, volume or flow to values measured by the transmitter.

It can be used for instance if the sound velocity is not known (LEVEL \Rightarrow LEVEL) or in the case of tank with other shape than under 6.4 or open channel other than under 6.5 (LEVEL \Rightarrow VOLUME or LEVEL \Rightarrow FLOW).

a	Linearisation
0	OFF (FACTORY DEFAULT)
1	ON

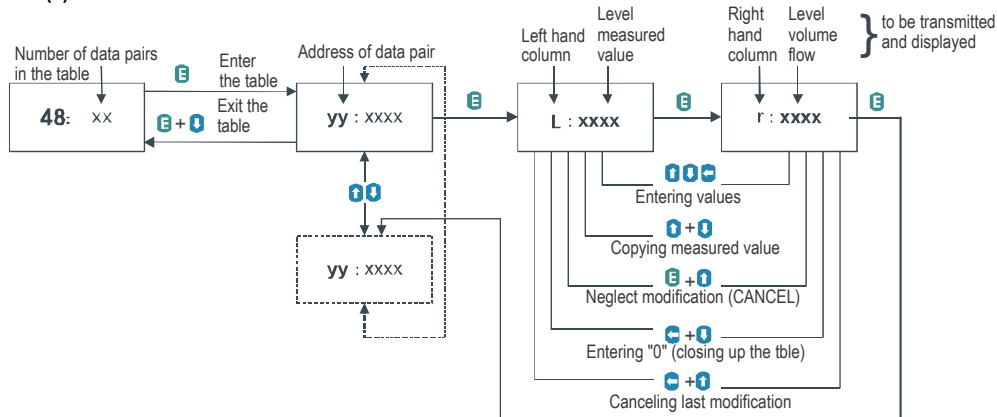
P48: Linearisation table

Data-pairs of the linearisation table are handled in a 2x32 matrix, consisting of two columns.

Left column "L"	Right column "r"
LEVEL measured	LEVEL or VOLUME or FLOW to be transmitted and displayed

The left column values (indicated on the display as "L") contain the measured LEVEL values.

The right column values (indicated on the display as "r") contain the calibrated values and are interpreted according to the selected measurement value in **P01(a)**.



Conditions of correct programming of the data pairs

Left column "L"	Right column "r"
L(1)= 0	r(1)
L(i)	r(i)
:	:
L(j)	r(j)

The table must always start with: L(1)= 0 and r(1)= value (assigned to 0 level)

The table must be ended either with the 32nd data pair i.e. j=32 or if the linearisation table contains less than 32 data-pairs j<32, the table must be closed by a level value "0" e.g. L(j<32)= 0.

The EchoTREK will ignore data after recognising level value "0" with serial number other than "1".

If the above conditions are not met, error codes will be displayed (see chapter: Error Codes).

6.10 INFORMATIONAL PARAMETERS (READ OUT PARAMETERS)

P60: Overall operating hours of the unit (h)

Indication varies according to the elapsed time:

Operating hours	Indication form
0 to 999.9h	xxx,x
1000 to 9999h	xxxx
Over 9999h	X,xx: e meaning x,xx 10 ^e

P61: Time elapsed after last switch-on (h)

P62: Operating hours of the relay (h)

P63: Number of switching cycles of the relay (h)

Indications are the same as in P60.

P64: Actual temperature of the transducer (°C/°F)

P65: Maximum temperature of the transducer (°C/°F)

P66: Minimum temperature of the transducer (°C/°F)

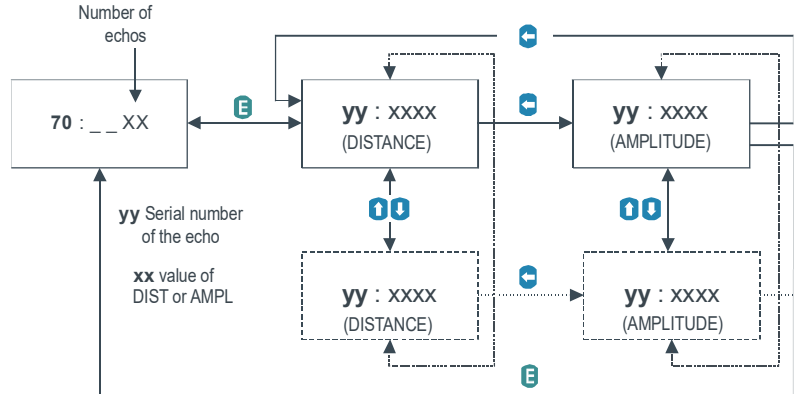
In case of a breaking in the temperature measuring Pt10 element „PtErr" will be displayed (See Chapter 7). The transmitter will perform temperature correction corresponding to 20°C.

P70: Number of Echoes / Echo Map

EchoTREK is monitoring the echo conditions.

Entering this parameter will save the actual echo map.

Number, distance and amplitude of these echoes can be read-out one by one.



P71: Distance of the of Measuring Window

P72: Amplitude of the Echo in the Measuring

P73: Echo Position (time) :(ms)

P74: Signal To Noise Ratio

Ratio	Measurement conditions
Over 70	Excellent
Between 70 and 30	Good
Under 30	Unreliable

P75: Blocking Distance

The actual close-end blocking distance will be displayed (provided automatic blocking was selected in **P05**).

6.11 ADDITIONAL PARAMETERS OF THE FLOW METERING

P76: Head of flow (LEV)

The Headwater value can be checked here. This is the “h” value in the formula for flow calculation.

P77: TOT1 volume flow totaliser (resetable)

P78: TOT2 volume flow totaliser (non-resetable)

Resetting TOT1 totaliser:

- 1). Go to the parameter P77.
- 2). Press NEXT (←) + DOWN (↓) simultaneously.
- 3). Display will indicate: “t1 Clr”.
- 4.) Press ENTER (↵) to delete.

6.12 SUPPLEMENTARY PARAMETER OF THE LOGGER

P79: Free space of logger in percent

If the value is 0, the registry has overflow and every new entry will overwrite the oldest one.

Clearing the logger

- 1). Enter parameter P79.
- 2). Press (←) + (↓) keys.
- 3). The display flashes „Lo-Clr” message.
- 4). Pressing (↵) will clear the logger.

6.13 TEST PARAMETERS

P80: Current output test (mA)

Going to this parameter, the actual current output (corresponding to the measured process value) will be displayed. By pressing ENTER (E) the (now blinking) current value can be set for any value between 3,9 and 20.5 mA. The current output has to show the same value which can be checked by an ampere meter, according to the description under 4.4. Press ENTER (E) to quit test mode and return the parameter address

P81: - - - a Relay test

The actual state of the relay can be seen on the display (code according to the table below and symbol on the screen). Test the relay by pressing UP (▲) and DOWN (▼) while observing change of the symbol and the code or listening to the ticking of the relay or checking on-off resistance by a suitable resistance meter.

a	Relay state
0	De-energised
1	Energised

P97: b:a.aa Software code

a.aa: Number of the software version

b: Code of the special version

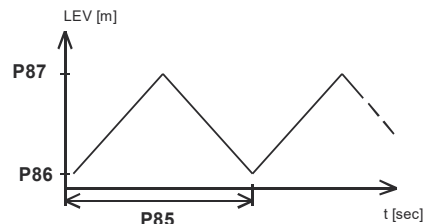
6.14 SIMULATION

This function enables the user to test the settings of the outputs. The EchoTREK can simulate the static or continuous change of level according to the simulation cycle time, high level and low level set in P85, P86 and P87. (The simulation levels must be within the programmed measuring range set in P04 and P05.)

After selecting simulation type in P85 and setting simulation values Measurement Mode has to be re-entered. While the EchoTREK is in simulation mode the DIST, LEV or VOL symbol will be blinking. To quit Simulation Mode **P84= 0** should be set.

P84: --- x Selection of the simulation

X	Simulation type
0	No simulation
1	The level changes continuously up and down between the level values set in P86 and P87 with a cycle time set in P85



P85: Cycle time for simulation (sec)

P86: Simulated low level value (m)

P87: Simulated high level value (m)

6.15 ACCESS LOCK

P99: dcba Access Lock by Secret Code

The purpose of this feature is to provide protection against accidental (or intentional) re-programming of parameters.

The Secret Code can be any value other than **0000**. Setting a Secret Code will automatically be activated when the EchoTREK is returned to the Measurement Mode. If the Secret Code is activated, the parameters can only be viewed, this is indicated by the a flashing colon ":" between the parameter address and the parameter value.

In order to program the device locked by a secret code, first enter the Secret Code in P99. The Secret Code is re-activated each time the EchoTREK is returned to Measurement Mode.

To delete the Secret Code, enter the Secret Code in P99. After confirming it with [E] re-enter the parameter P99 and enter **0000**.

[dcba (Secret Code)] → [E] → [E] → [0000] → [E] ⇒ **Secret Code deleted**

7. ERROR CODES

Error Code	Error description	Causes and solutions
1	Memory error	Contact local agent
No Echo	Echo loss	No echo received (no reflection) See Action 5 and 6
3	Hardware error	Contact local agent
4	Display overflow	Check settings
5	Sensor error or improper installation/mounting, level in the dead band	Verify sensor for correct operation and check for correct mounting according to the User's Manual
6	The measurement is at the reliability threshold	Better location should be tried.
7	No signal received within the measuring range specified in P04 and P05	Review programming, also look for installation mistake
12	Linearisation table error: both L(1) and L(2) are zero (no valid data-pairs)	See the Section "Linearisation"
13	Linearisation table error: there are two same L(i) data in the table	See the Section "Linearisation"
14	Linearisation table error: the r(i) values are not monotone increasing	See the Section "Linearisation"
15	Linearisation table error: measured Level is higher than the last Volume or Flow data-pair	See the Section "Linearisation"
16	The check sum of the program in the EEPROM is wrong	Contact local agent
17	Parameter consistency failure	Check programming
18	Hardware failure	Contact local agent

8. PARAMETER TABLE

Par.	Page	Description	Value				Par.	Page	Description	Value			
			d	c	b	a				d	c	b	a
P00	26	Application/Engineering Units					P28	36	Echo loss indication				
P01	27	Measurement Mode					P29	37	Blocking out of disturbing object				
P02	27	Calculation units					P30		N.A.				
P03	28	Rounding					P31	37	Sound velocity in different gases				
P04	29	Maximum Measuring Distance					P32	37	Specific gravity				
P05	30	Minimum Measuring Distance					P33		N.A.				
P06	31	Far End Blocking					P34	38	Logging mode				
P07		N.A.					P35	39	Log value 1 and log value 2				
P08		N.A.					P36	39	Log value 1 and log value 2				
P09		N.A.					P37	40	Real-time clock, year				
P10	32	Value assigned to „4 mA”					P38	40	Real-time clock, month and day				
P11	32	Value assigned to „20 mA”					P39	40	Real-time clock hour and minute				
P12	32	“Error” indication by the current output					P40	43	Selection of tank shape/ open channel				
P13	33	Relay function					P41	42	Dimensions of tank / Open Channel				
P14	33	Relay parameter – Operating value					P42	42	Dimensions of tank / Open Channel				
P15	33	Relay parameter – Releasing value					P43	42	Dimensions of tank / Open Channel				
P16	33	Relay parameter – Pulse rate					P44	42	Dimensions of tank / Open Channel				
P17		N.A.					P45	42	Dimensions of tank / Open Channel				
P18		N.A.					P46	48	Dist. Btw. Transducer face and level of Q=0				
P19	33	HART ????					P47	49	Linearisation				
P20	34	Damping					P48	49	Linearisation table				
P21		N.A.					P49		N.A.				
P22	34	Dome top tank compensation					P50		N.A.				
P23		N.A.					P51		N.A.				
P24	34	Target tracking speed					P52		N.A.				
P25	35	Selection of Echo in the measuring window					P53		N.A.				
P26	35	Level elevation rate					P54		N.A.				
P27	35	Level descent rate					P55		N.A.				

Par.	Page	Description	Value		
P56		N.A.			
P57		N.A.			
P58		N.A.			
P59		N.A.			
P60	50	Overall operating hours of the unit			
P61	50	Time elapsed after last switch-on			
P62	50	Operating hours of the relay			
P63	50	Number of switching cycles of the relay			
P64	50	Actual temperature of the transducer			
P65	44	Maximum temperature of the transducer			
P66	50	Minimum temperature of the transducer			
P67		N.A.			
P68		N.A.			
P69		N.A.			
P70	51	Echo Map			
P71	51	Distance of the measuring window			
P72	51	Amplitude of the in the measuring window			
P73	51	Distance of the in the measuring window			
P74	51	Signal / noise ratio			
P75	51	Blocking Distance			
P76	52	Waterhead of the flow			
P77	52	TOT1 volume flow totaliser			

Par.	Page	Description	Value		
P78	52	TOT2 volume flow totaliser			
P79		N.A.			
P80	53	Current generator test			
P81	53	Relay test			
P82		N.A.			
P83		N.A.			
P84	54	Simulation mode			
P85	54	Simulation cycle time			
P86	54	Simulation low level			
P87	54	Simulation high level			
P88		N.A.			
P89		N.A.			
P90		N.A.			
P91		N.A.			
P92		N.A.			
P93		N.A.			
P94		N.A.			
P95		N.A.			
P96		N.A.			
P97	53	Software code			
P98		N.A.			
P99	54	Access lock			

9. SOUND VELOCITIES IN DIFFERENT GASES

The following table contains the sound velocity of various gases measured at 20 °C.

Gases		Sound Velocity (m/s)
Acetaldehyde	C_2H_4O	252.8
Acetylene	C_2H_2	340.8
Ammonia	NH_3	429.9
Argon	Ar	319.1
Benzene	C_6H_6	183.4
Carbon dioxide	CO_2	268.3
Carbon monoxide	CO	349.2
Carbon tetrachloride	CCl_4	150.2
Chlorine	Cl_2	212.7
Dimethyl ether	CH_3OCH_3	213.4
Ethane	C_2H_6	327.4
Ethanol	C_2H_5OH	267.3

Gases		Sound Velocity (m/s)
Ethylene	C_2H_4	329.4
Helium	He	994.5
Hydrogen sulphide	H_2S	321.1
Methane	CH_4	445.5
Methanol	CH_3OH	347
Neon	Ne	449.6
Nitrogen	N_2	349.1
Nitrogen monoxide	NO	346
Oxygen	O_2	328.6
Propane N.A.	C_3H_8	246.5
Sulphur hexafluoride	SF_6	137.8

sea3802a0600p_15

November 2017

Nivelco reserves the right to change technical data without notice!