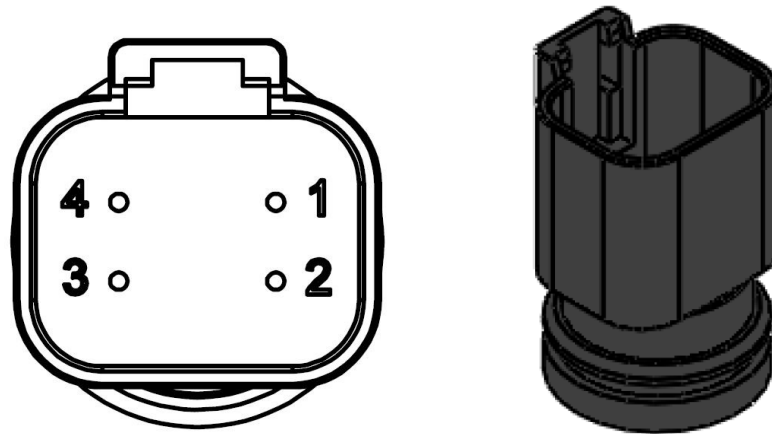


# WIRING INFORMATION

- Deutsch DT04-4P -



Output	Pin 1	Pin 2	Pin 3	Pin 4
mV (4-wire)	+V	Ground	+Signal	-Signal
Voltage (3-wire)	+V	Ground	Signal	N/A
4-20mA (2-wire)	+V	-V	N/A	N/A

+V	Supply Voltage
-V	4-20mA Signal/Electrical Ground
Ground	Voltage Electrical Ground
Signal	Voltage Output Signal
N/A	Not Applicable