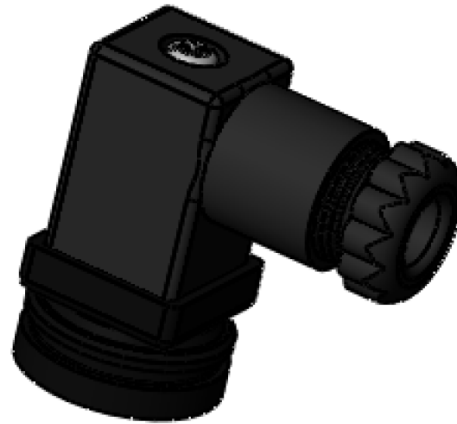
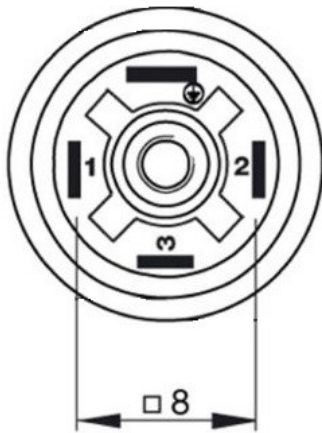


# WIRING INFORMATION

## - Mini-Din, Form C -



Output	Pin 1	Pin 2	Pin 3	Wide Pin
mV (4-wire)	-Signal	Ground	+V	+Signal
Voltage (3-wire)	+Signal	Ground	+V	N/A
4-20mA (2-wire)	N/A	-V	+V	N/A

+V	Supply Voltage
-V	4-20mA Signal/Electrical Ground
Ground	Voltage Electrical Ground
Signal	Voltage Output Signal
N/A	Not Applicable